



SPEED
CHAMPIONS

76934



LEGO® Builder



Get excited about our new packaging!

We're switching from plastic to paper-based packaging. That's why you might find a mix of paper and plastic in our boxes!

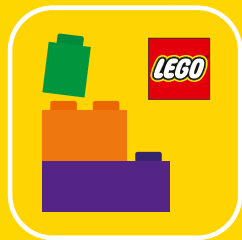
Nos nouveaux emballages vous emballeront !

Nous passons des emballages en plastique aux emballages à base de papier. C'est pourquoi vous pourriez trouver un mélange de papier et de plastique dans nos boîtes !

¡Te presentamos nuestros nuevos empaques!

Estamos sustituyendo las bolsas de plástico por bolsas con base de papel. ¡Por eso, puedes encontrar una mezcla de papel y de plástico en nuestras cajas!

[LEGO.com/sustainable-packaging](https://www.lego.com/sustainable-packaging)



Q LEGO® Builder

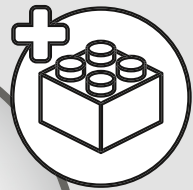
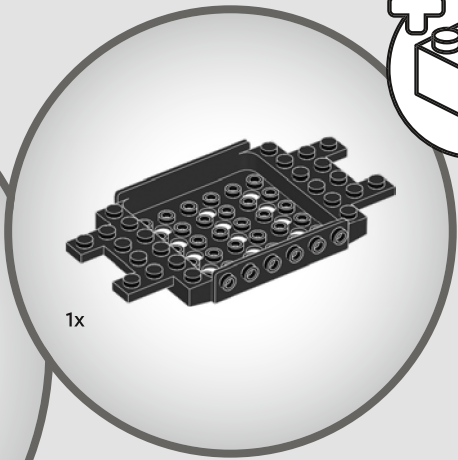
BUILDER



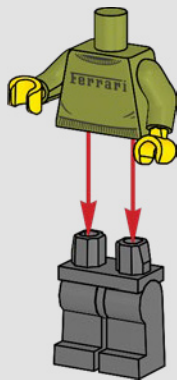
Apple and the Apple logo are trademarks of Apple Inc., registered in the U.S. and other countries and regions. App Store is a service mark of Apple Inc. Google Play and the Google Play logo are trademarks of Google LLC. Tencent and the Tencent logo are trademarks of Tencent Inc.

Q [LEGO.com/devicecheck](https://www.lego.com/devicecheck)

EN Ask parents' permission before going online | **DE** Eltern um Erlaubnis bitten, bevor du online gehst | **FR** Demande l'autorisation d'un parent avant d'aller en ligne | **IT** Chiedi il permesso ai tuoi genitori prima di andare online | **ES** Pídeles permiso a tus papás antes de conectarte a Internet | **PT** Pede autorização aos pais antes de acederes online | **ZH** 上网前应先征得父母的同意 | **PL** Poproś rodziców o zgodę, zanim wejdziesz do Internetu | **CS** Než půjdeš na internet, požádej rodiče o svolení | **SK** Skôr než pôjdeš na internet, vypýtaj si povolenie od rodičov | **HU** Kérj szülői engedélyt, mielőtt online csatlakoznál! | **RO** Cere permisiunea părinților înainte de a te conecta online | **BG** Поискайте разрешение от родител, преди да влезете онлайн | **LV** Pirms došanās tiešsaistē palūdz atļauju vecākiem | **ET** Enne Interneti kasutamist küsi vanematelt luba | **LT** Prieš prisijungdami prie interneto, atsiklauskite tėvų



1

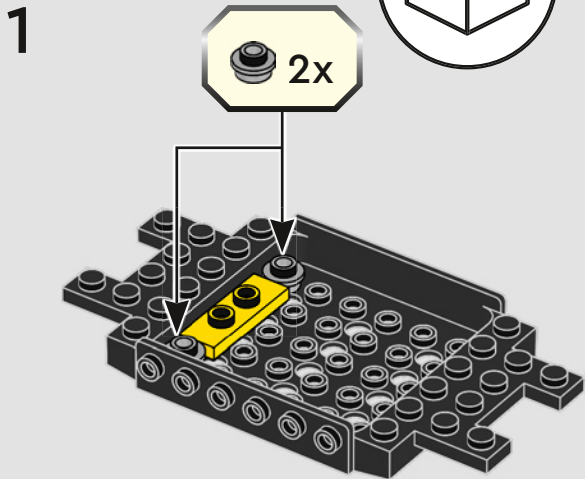
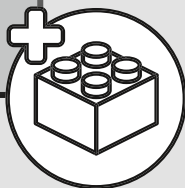
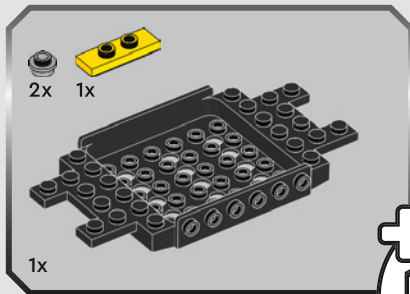


2

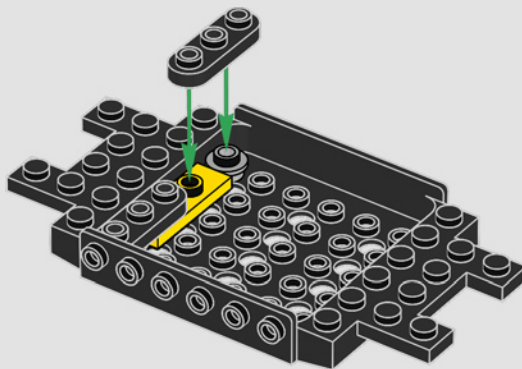


3



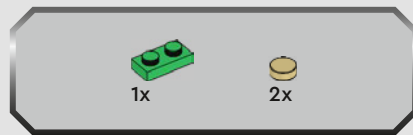
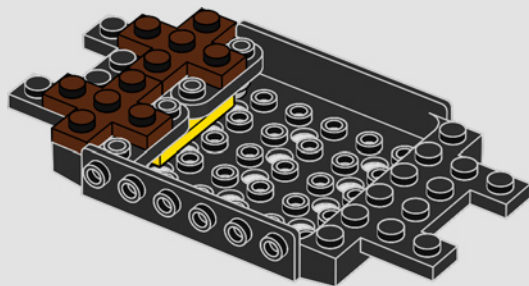


2

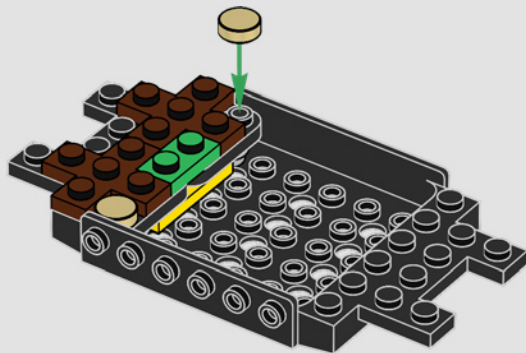


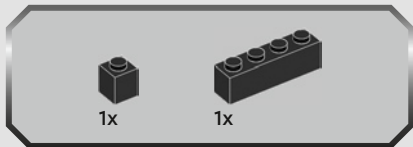


3

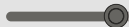
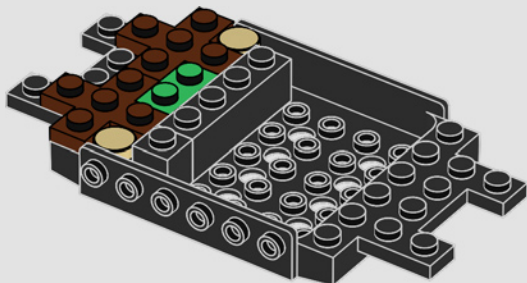


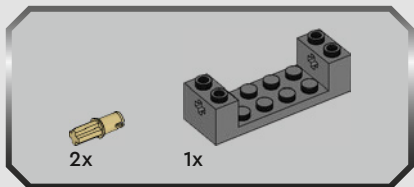
4



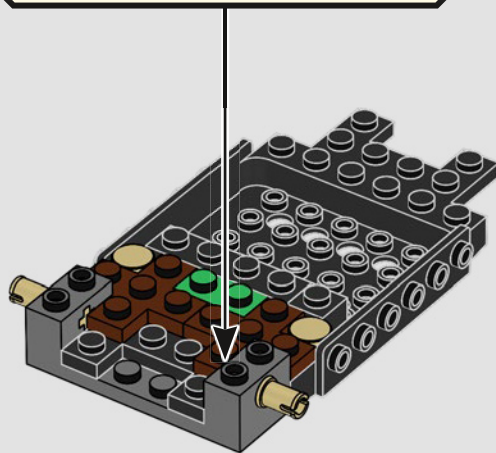
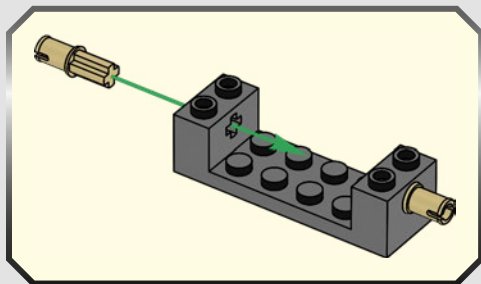


5





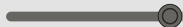
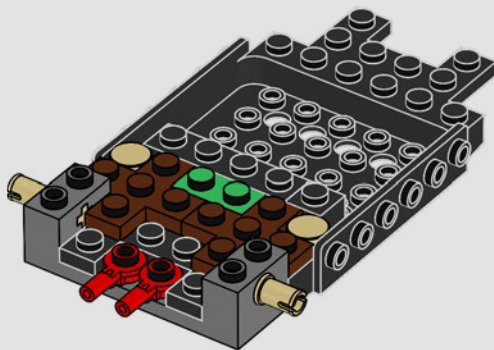
6

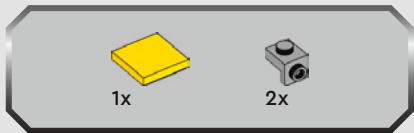




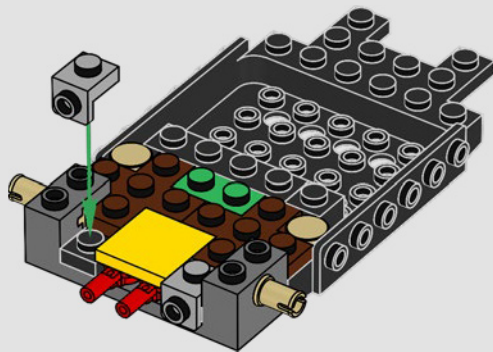
2x

7

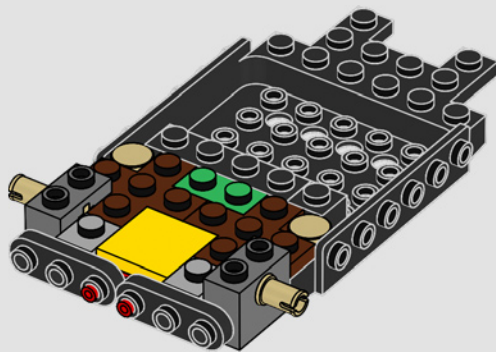




8

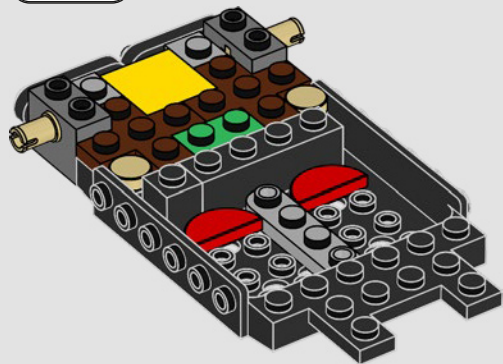


9

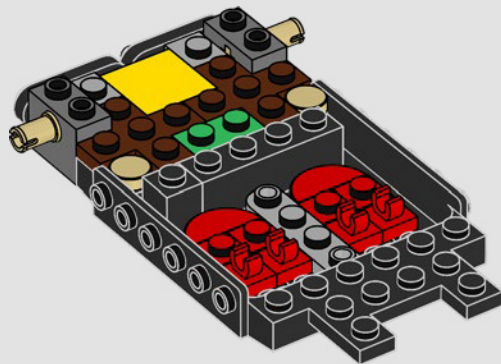


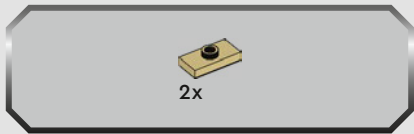


10

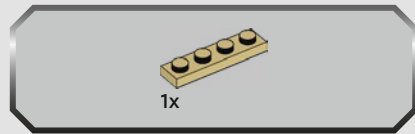
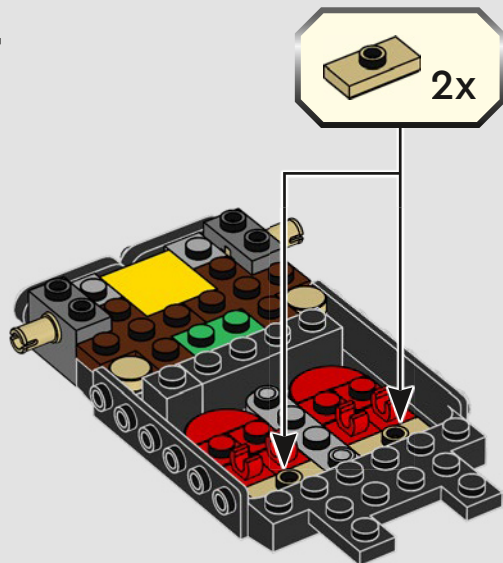


11

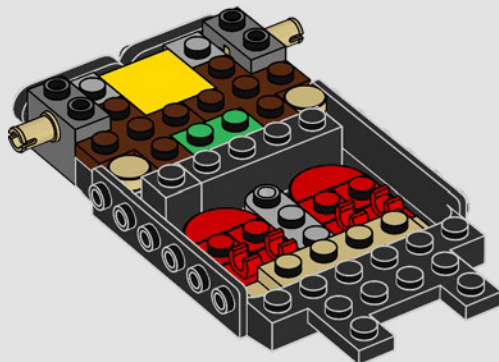




12

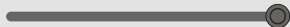
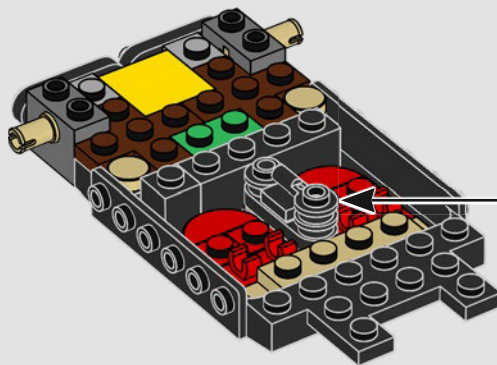
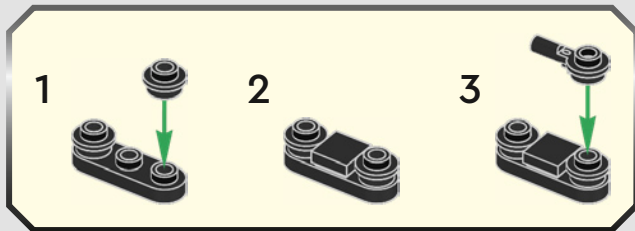


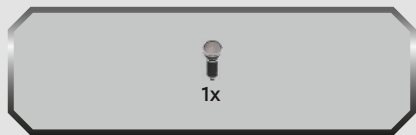
13



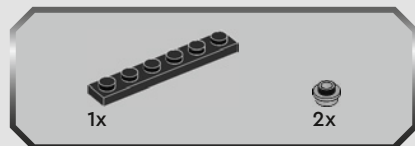
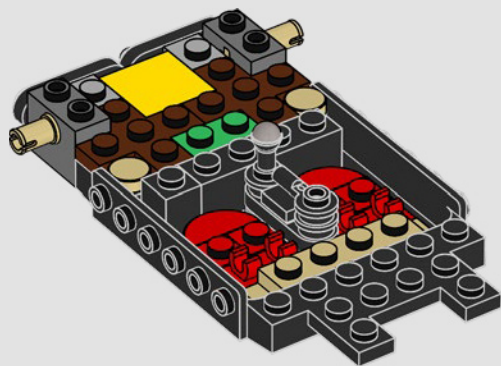


14

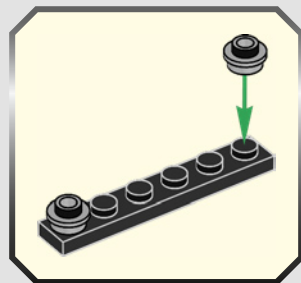
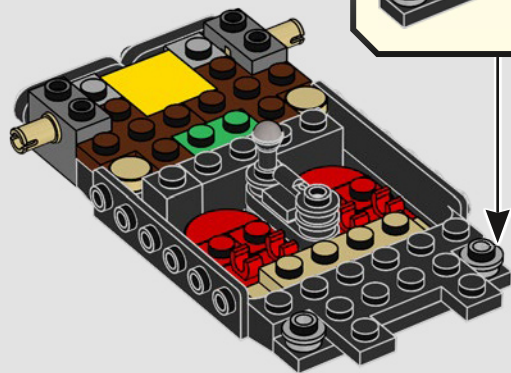


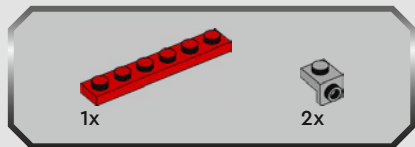


15

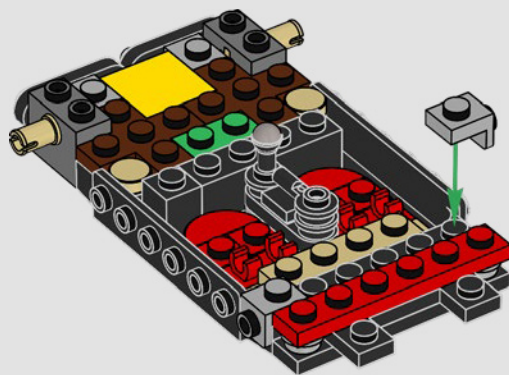


16



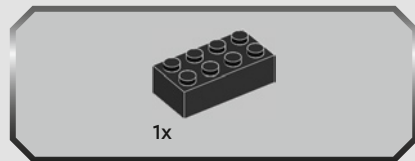
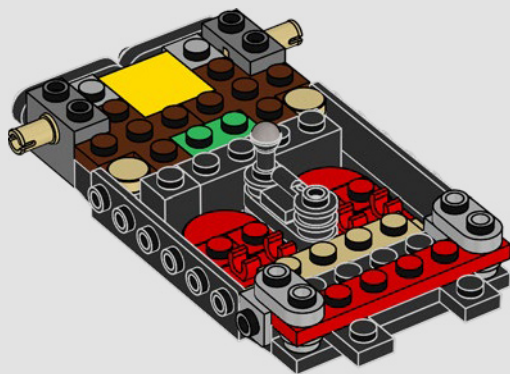


17

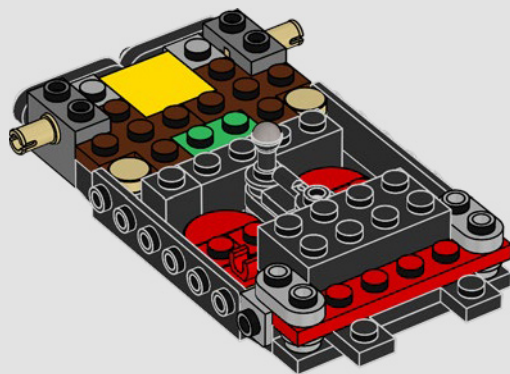


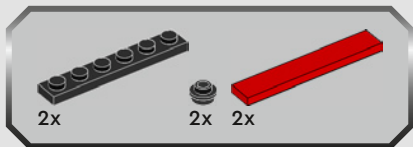


18

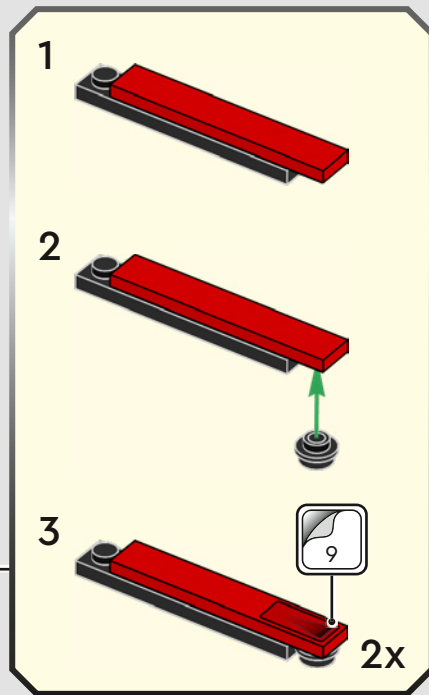
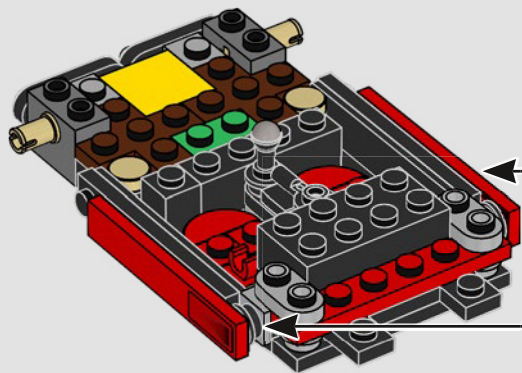


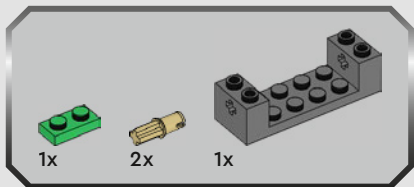
19



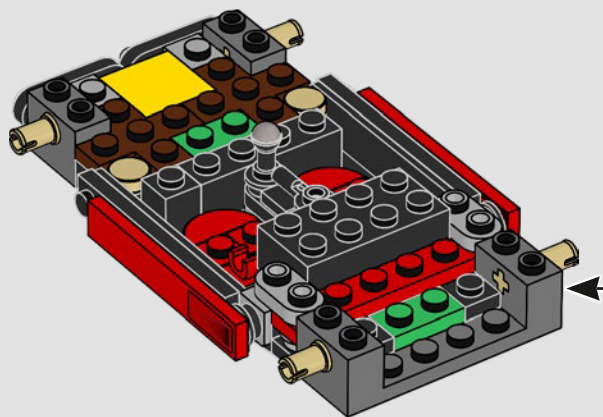
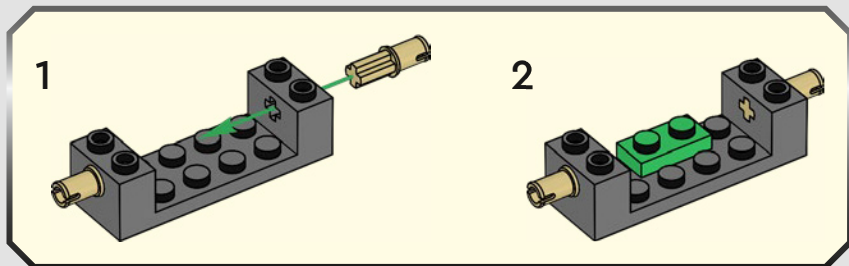


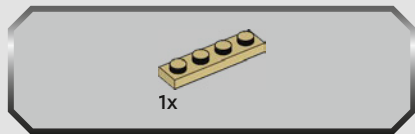
20



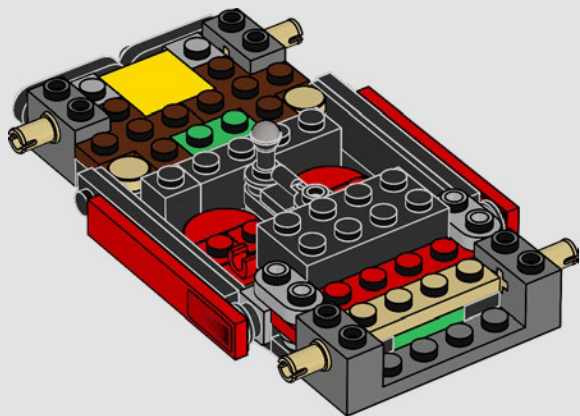


21

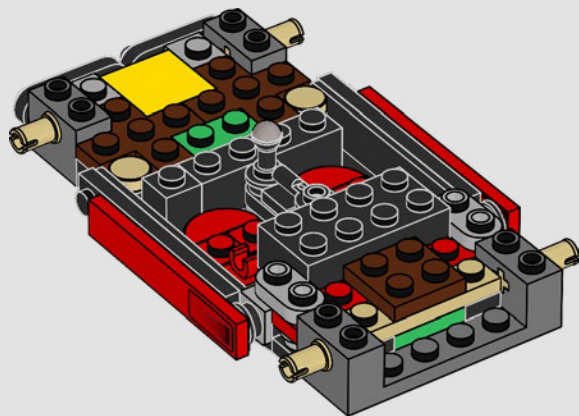




22

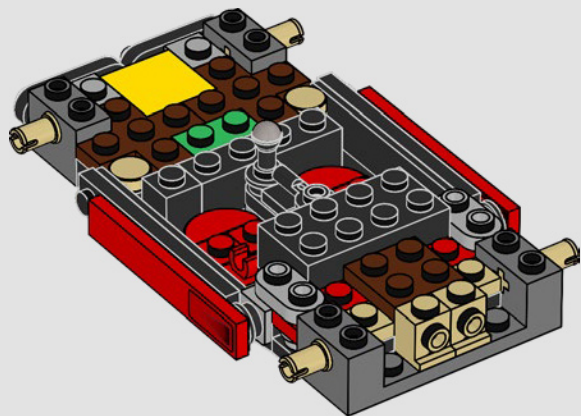


23

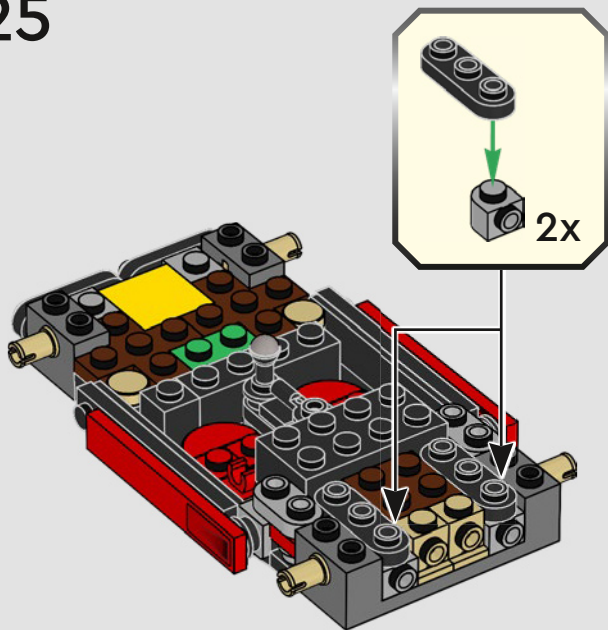




24



25



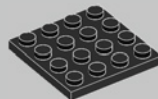
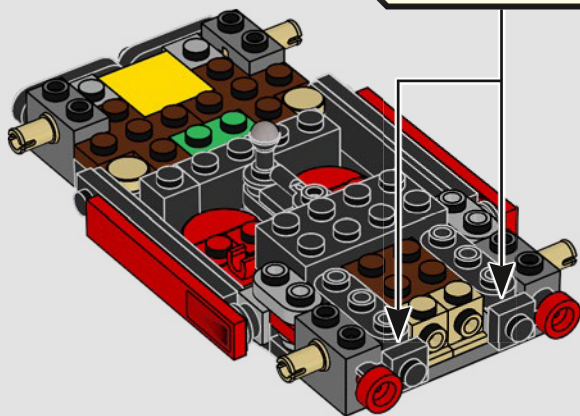
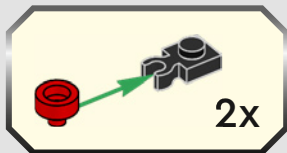


2x



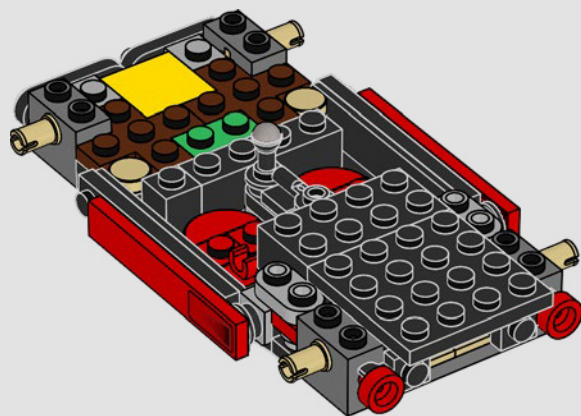
2x

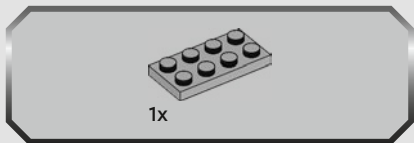
26



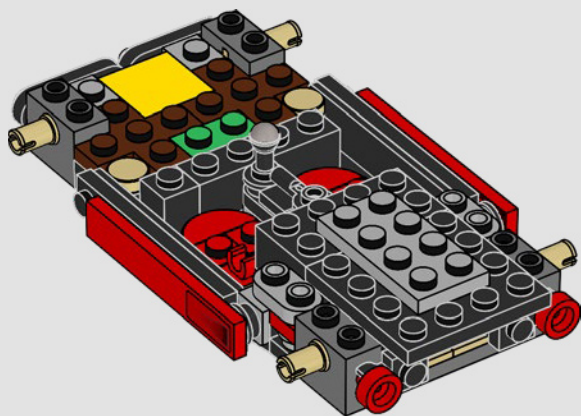
1x

27

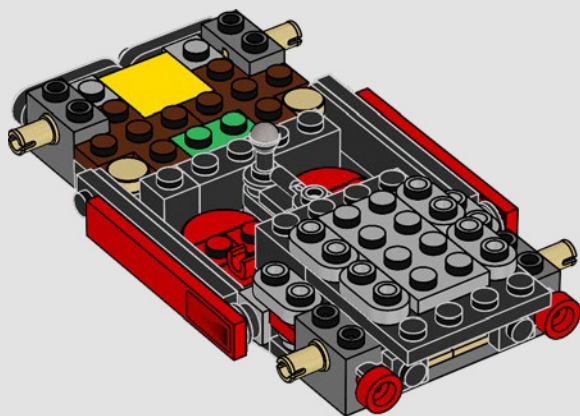




28

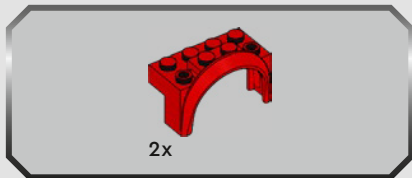
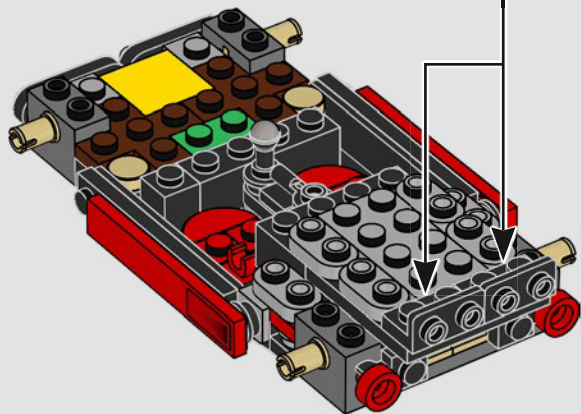


29

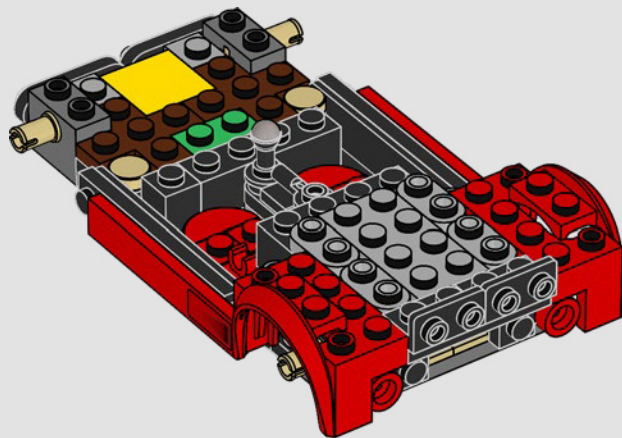


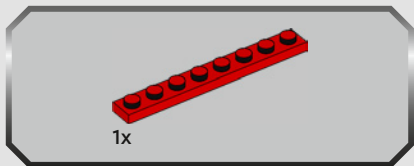


30

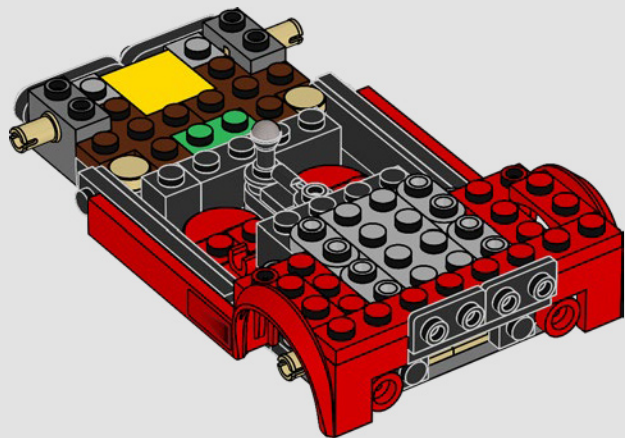


31

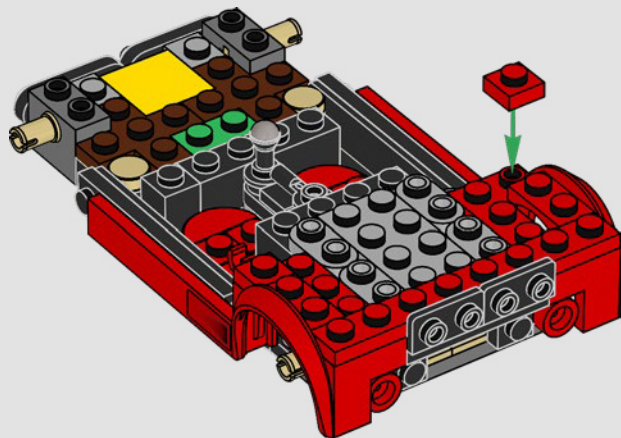




32



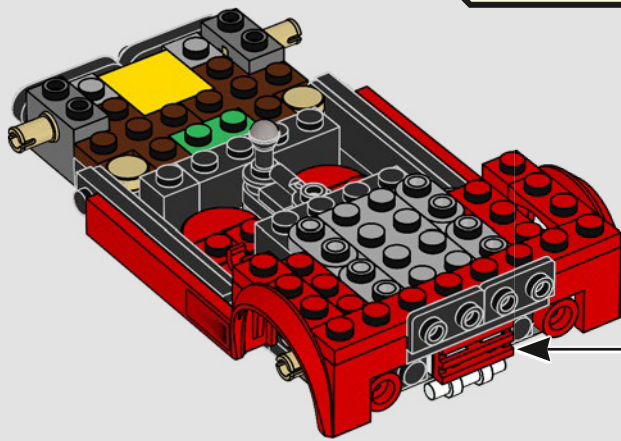
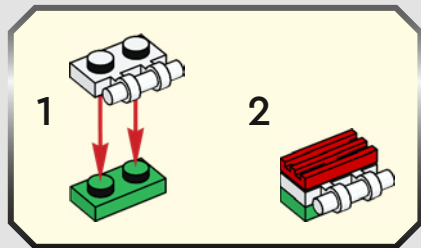
33







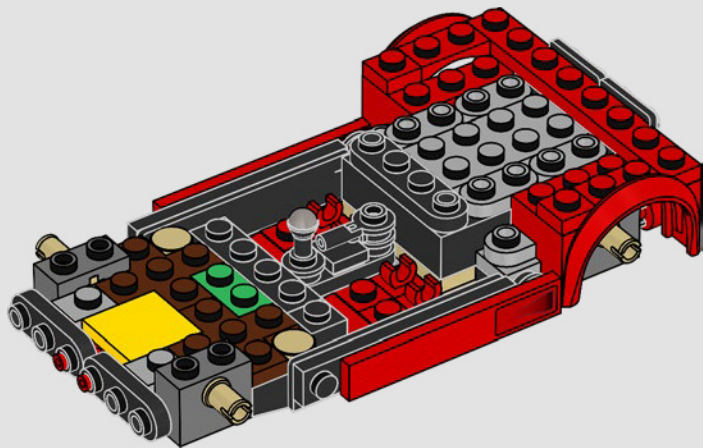
34





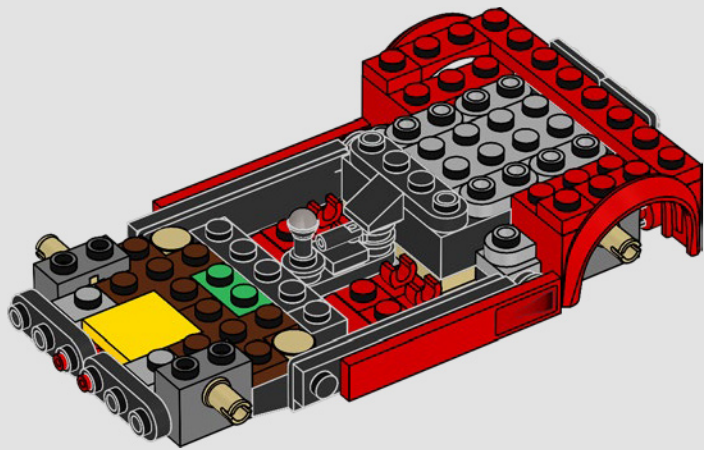
1x

35



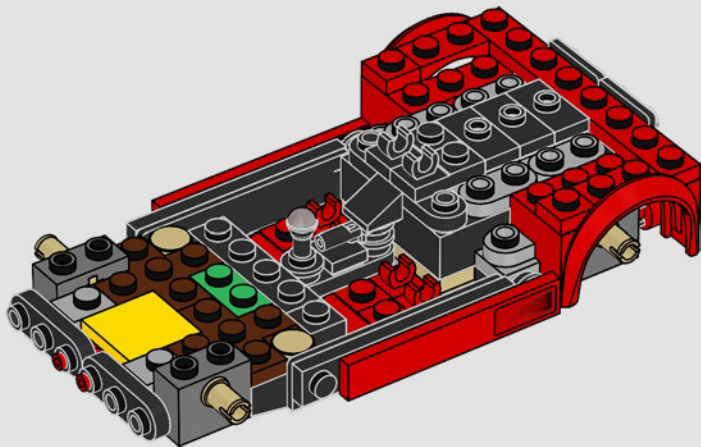


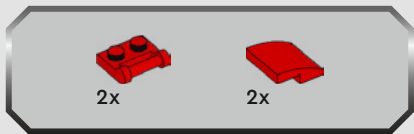
36



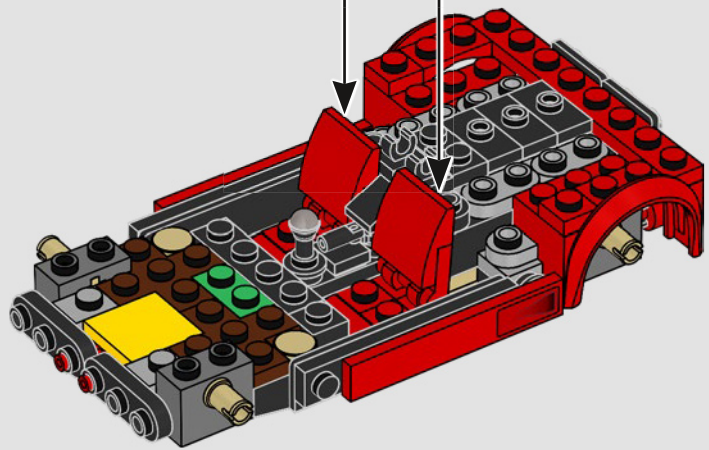
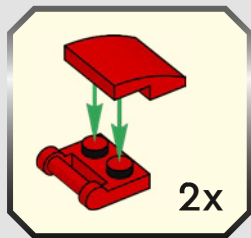


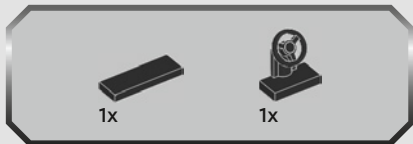
37



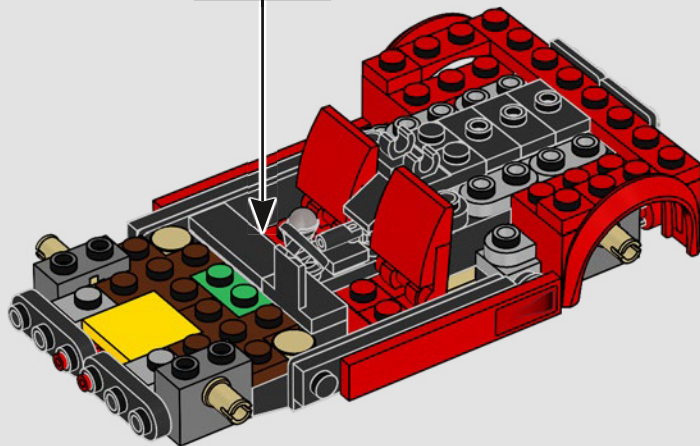
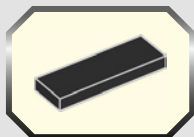


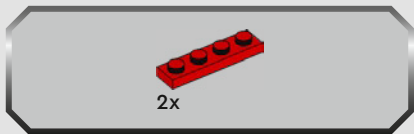
38



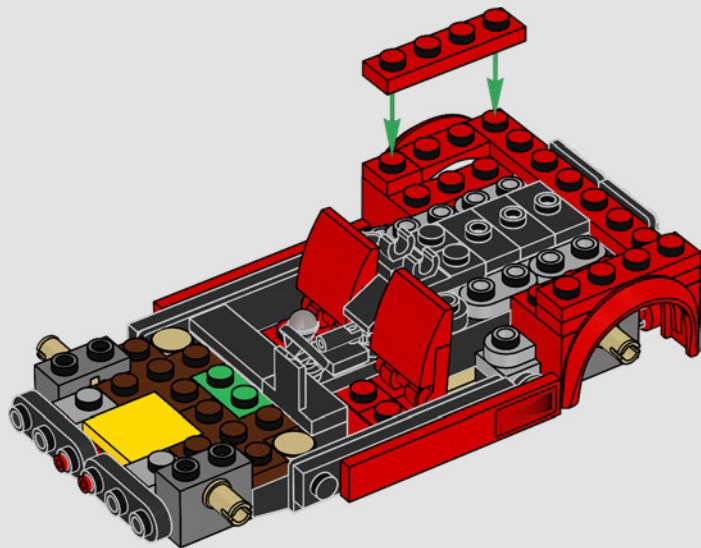


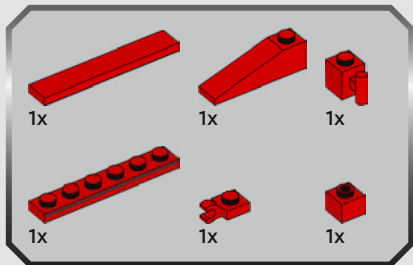
39



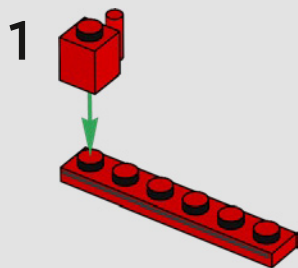


40

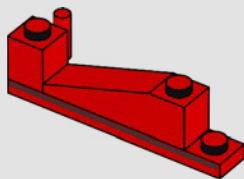




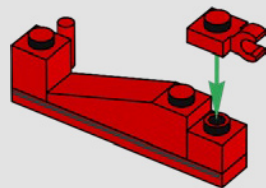
41



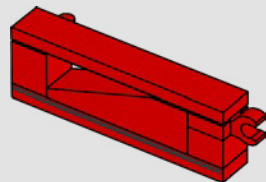
2

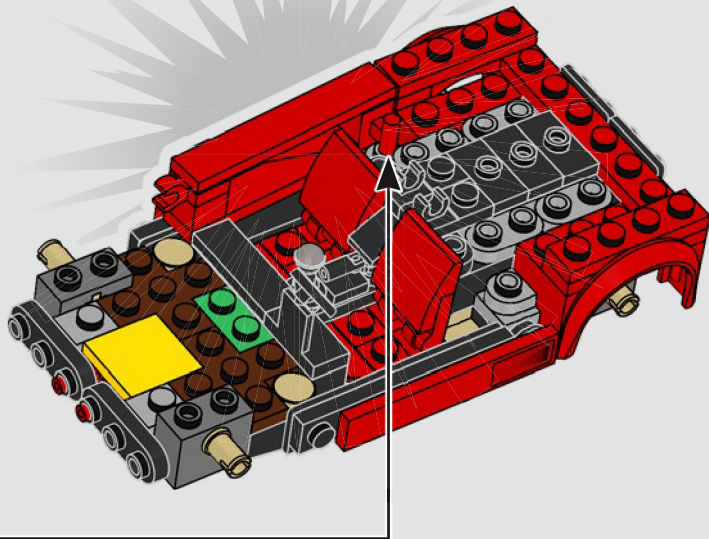


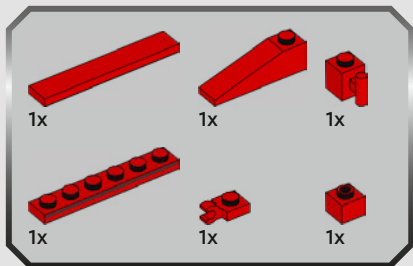
3



4

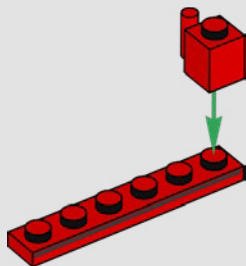




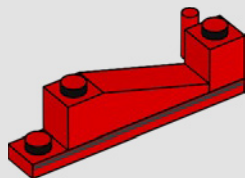


42

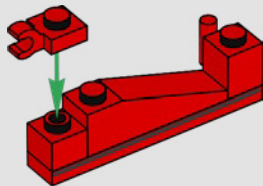
1



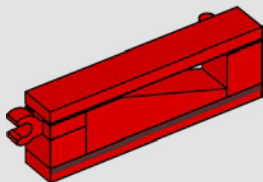
2

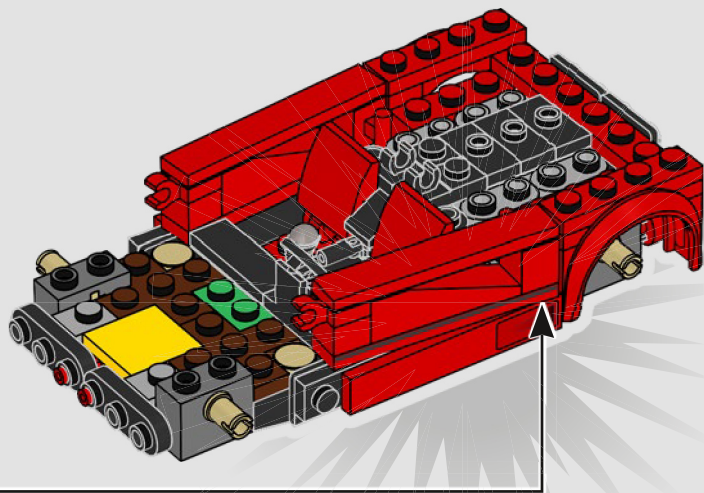


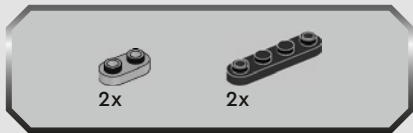
3



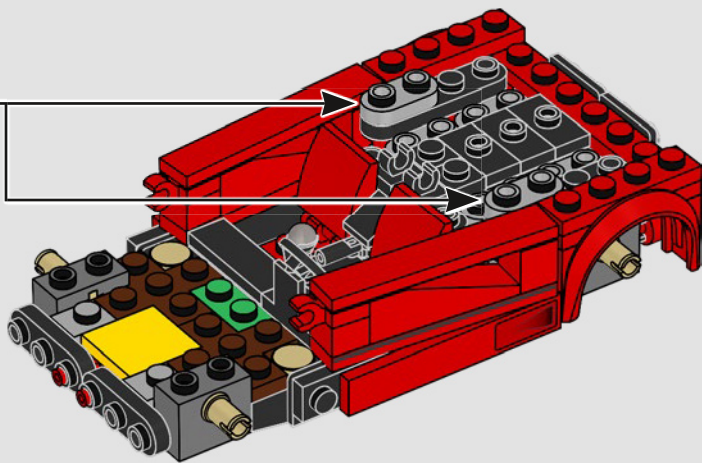
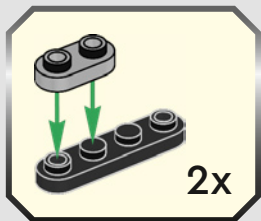
4





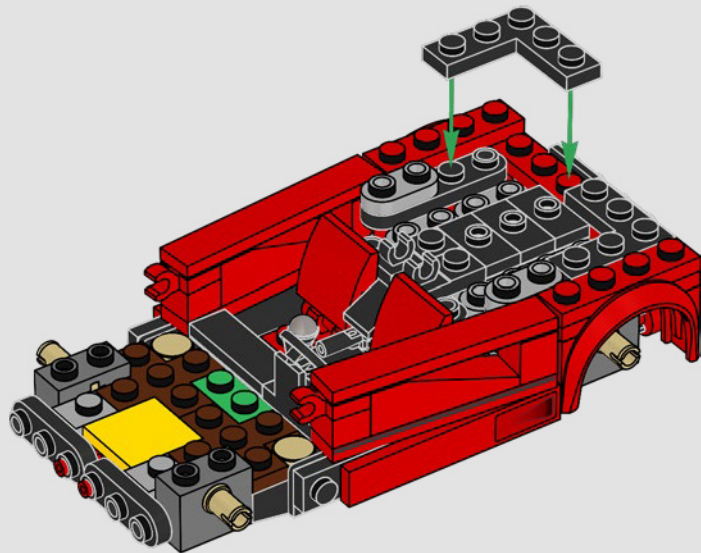


43



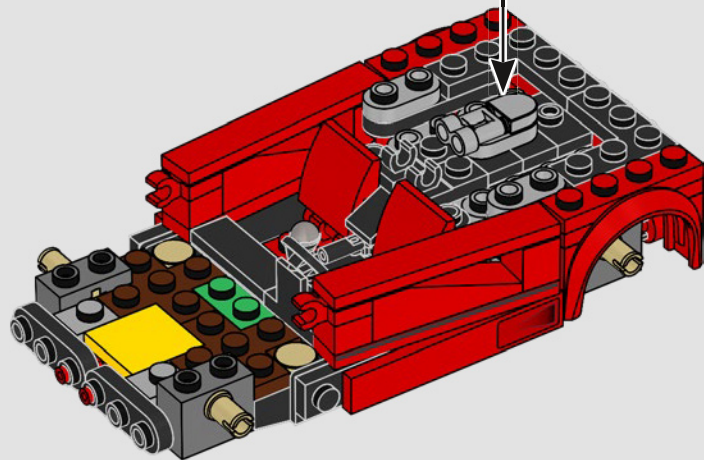
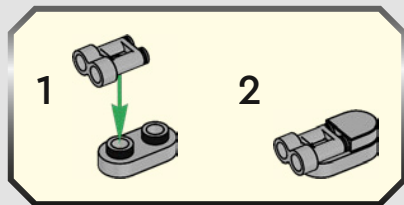


44



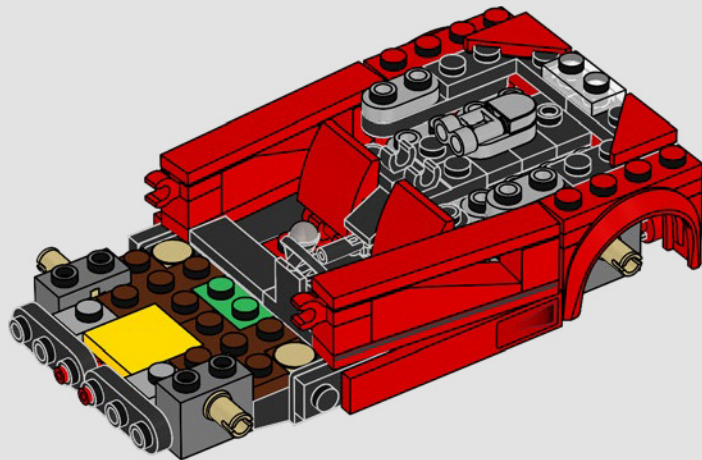


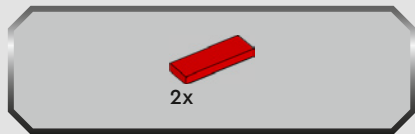
45



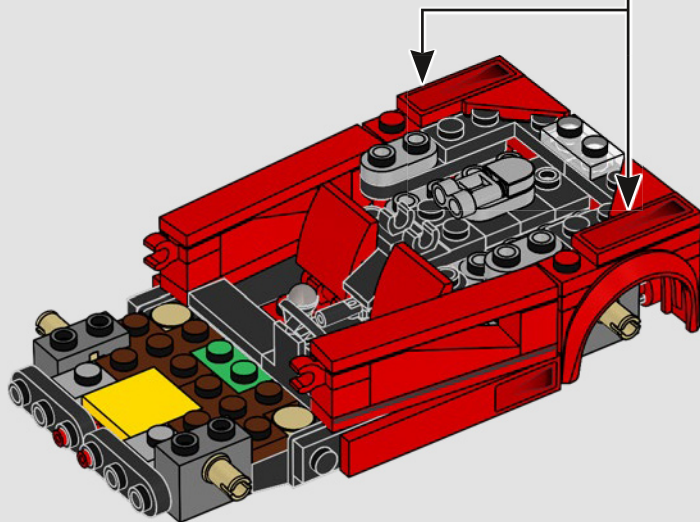
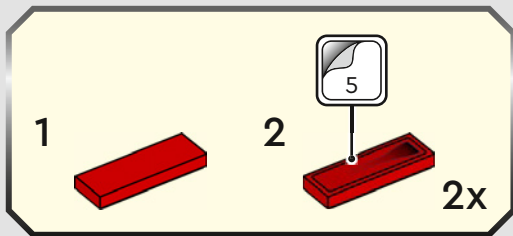


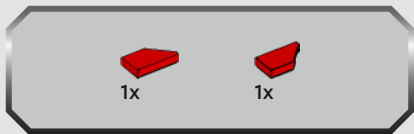
46



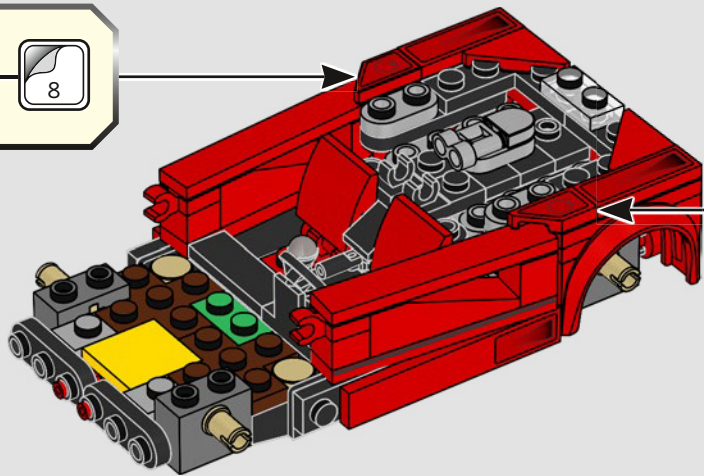
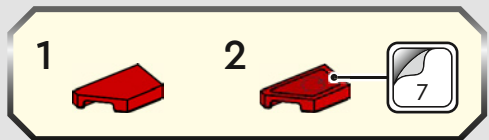


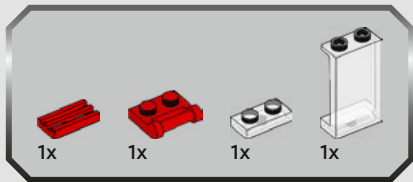
47



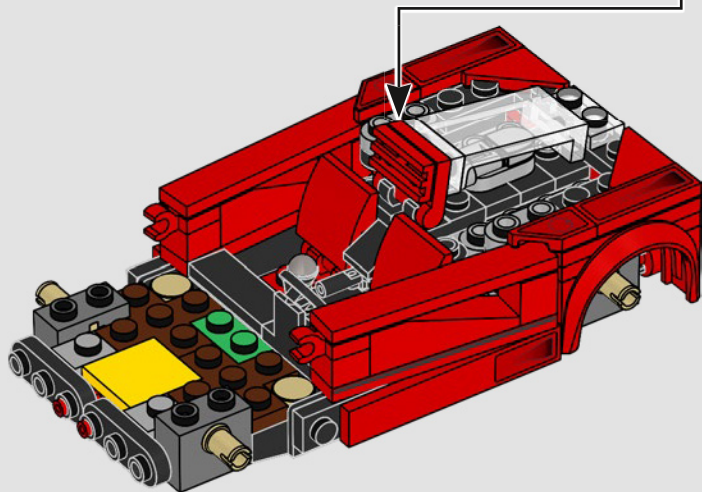
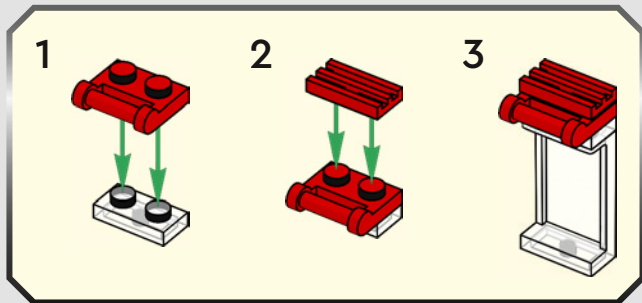


48



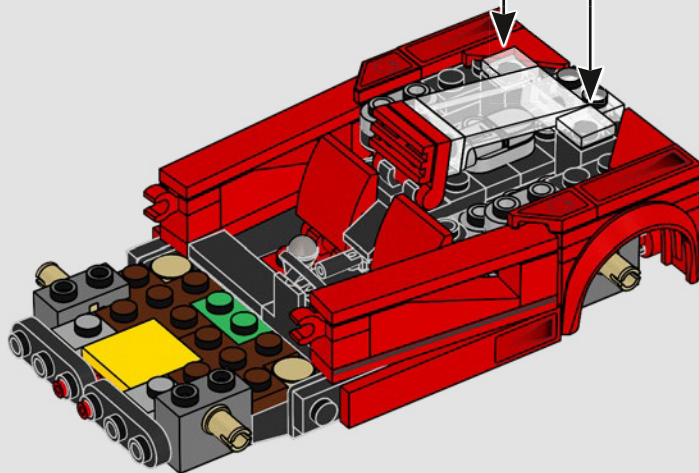
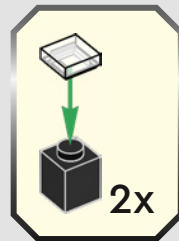


49





50





2x



2x



4x



4x



4x



4x



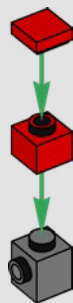
2x



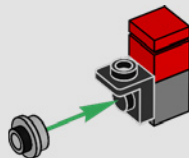
6x

51

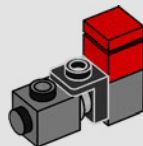
1



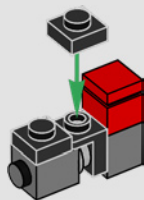
2



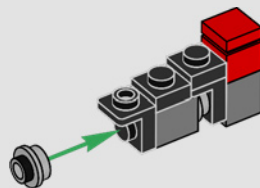
3



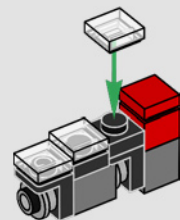
4



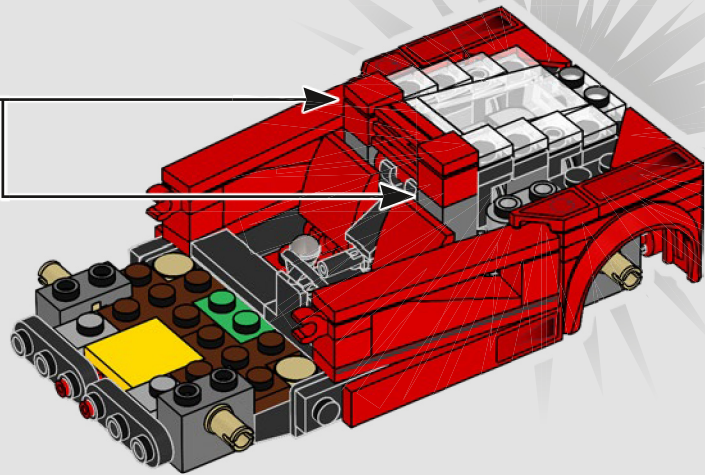
5

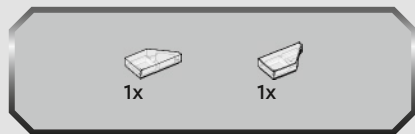


6

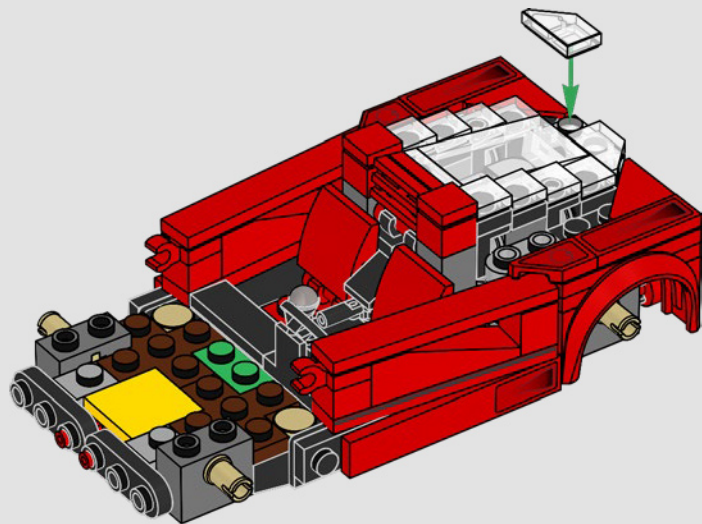


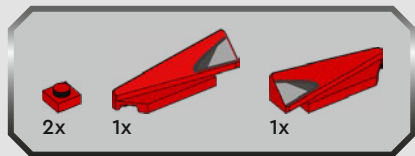
2x



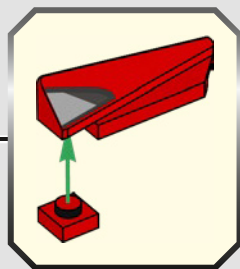
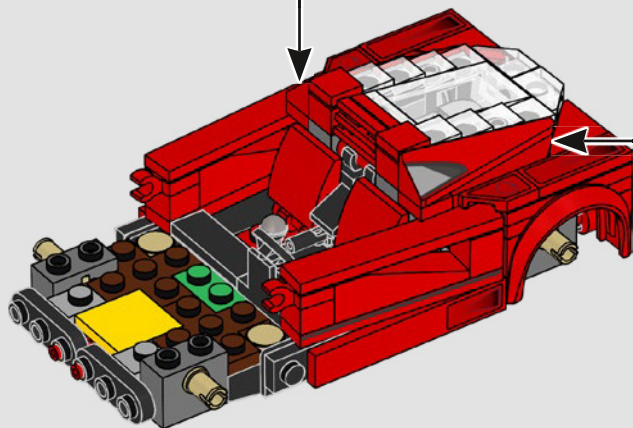
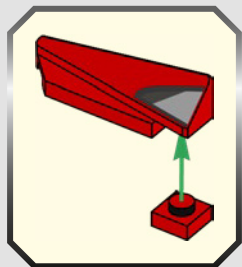


52



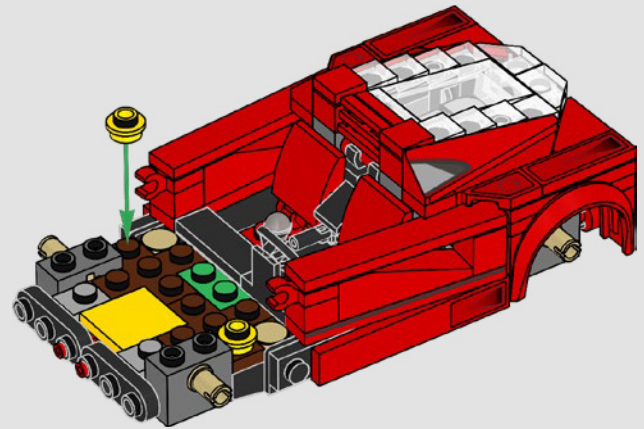


53



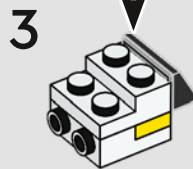
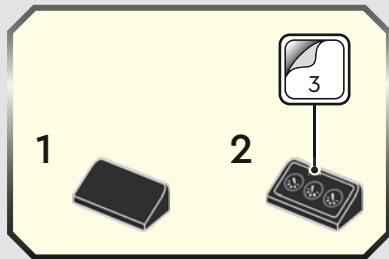
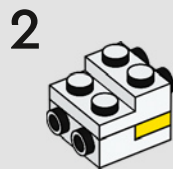
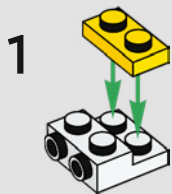


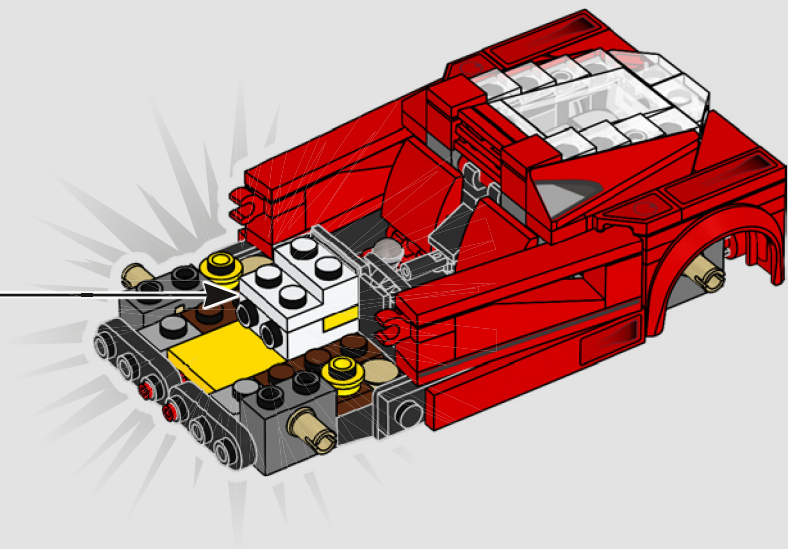
54

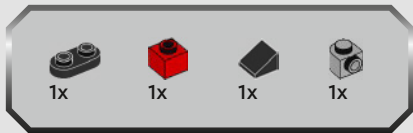




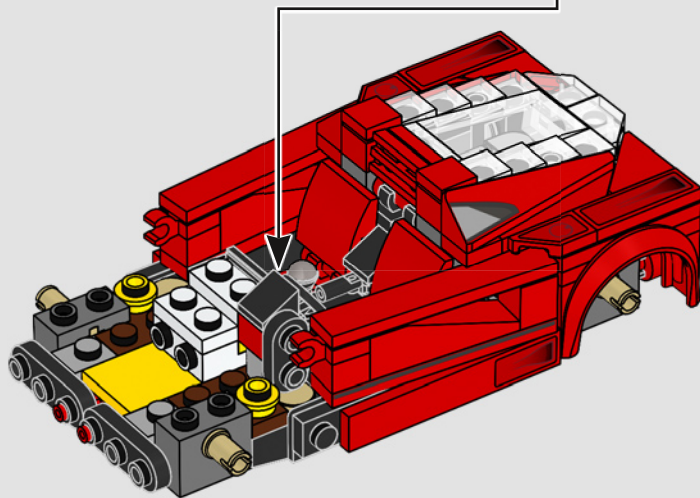
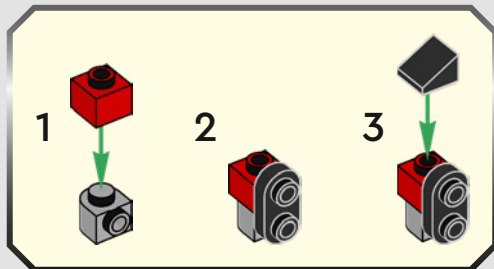
55

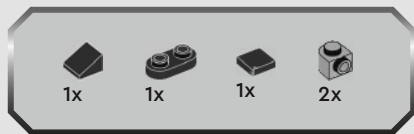




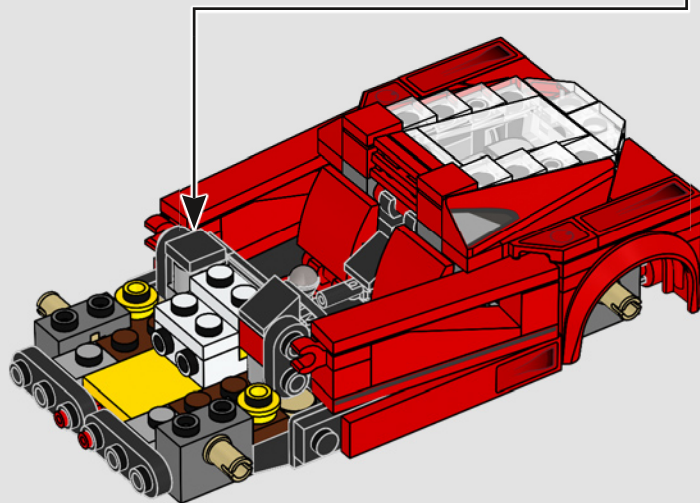
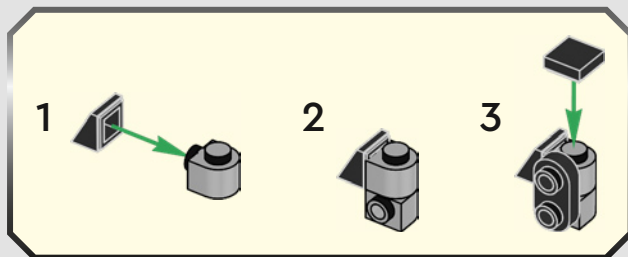


56



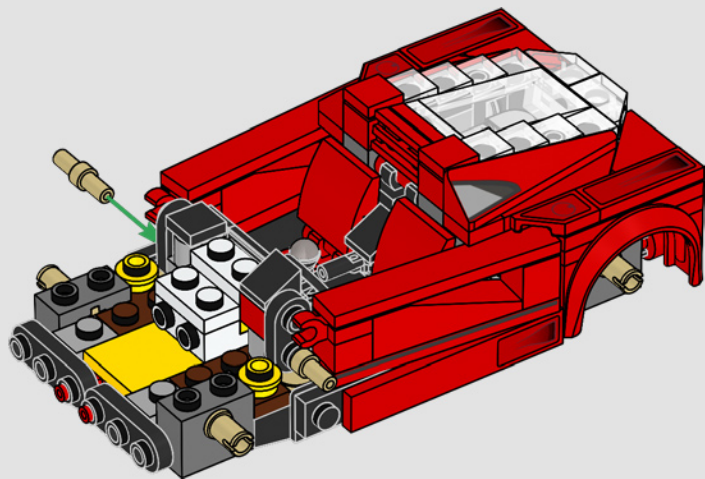


57





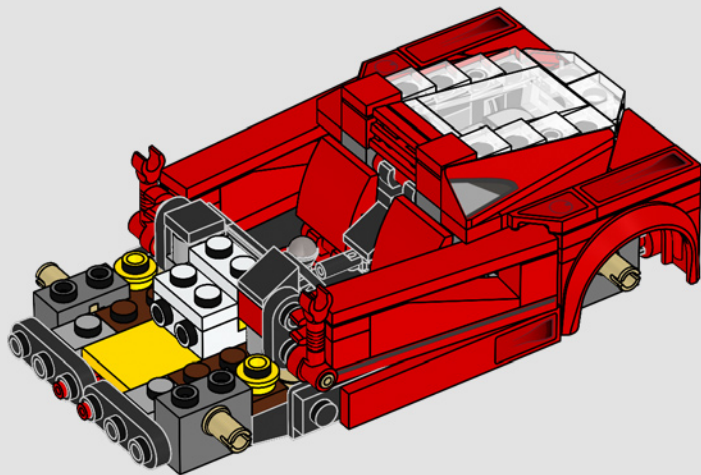
58

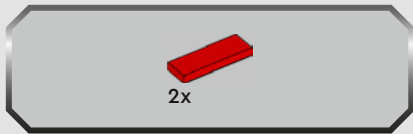




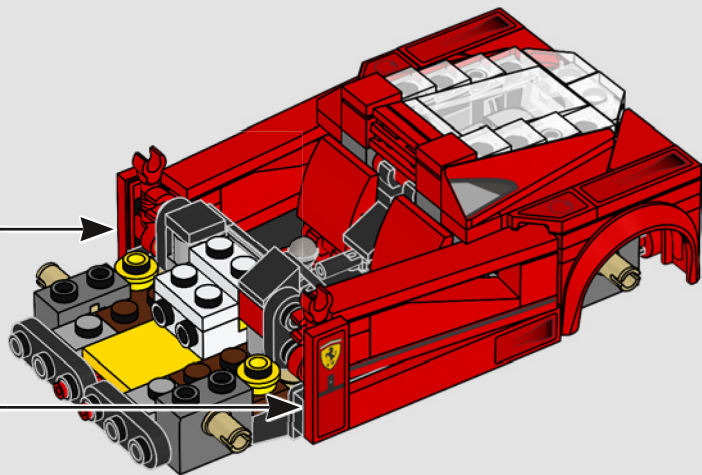
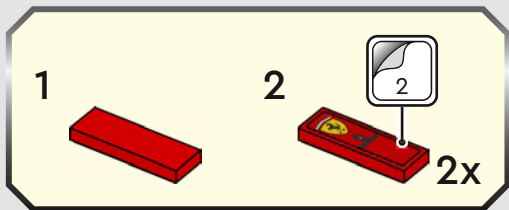
2x

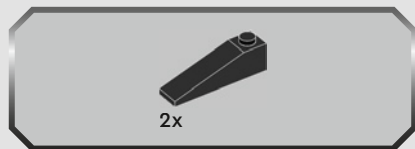
59



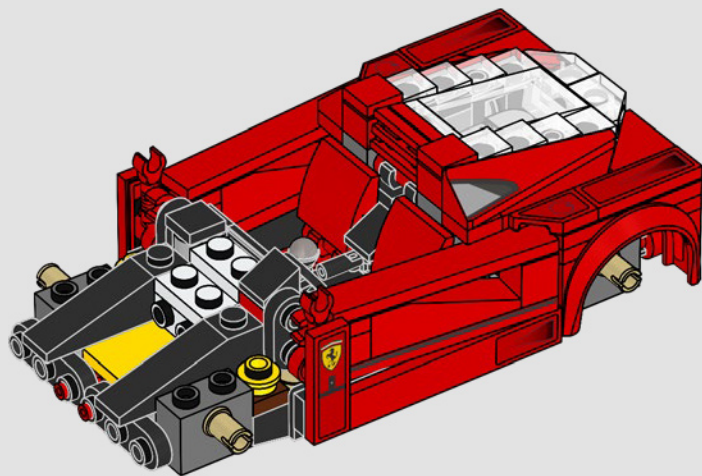


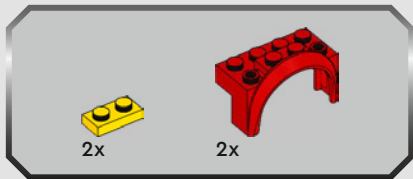
60



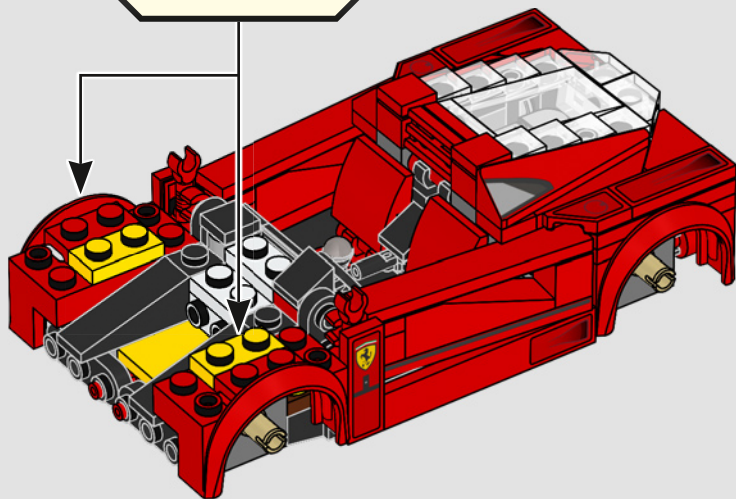
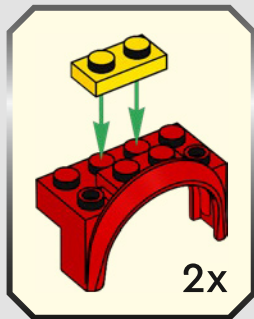


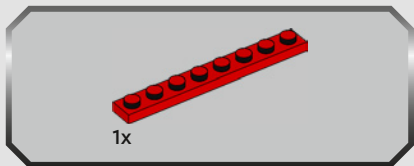
61



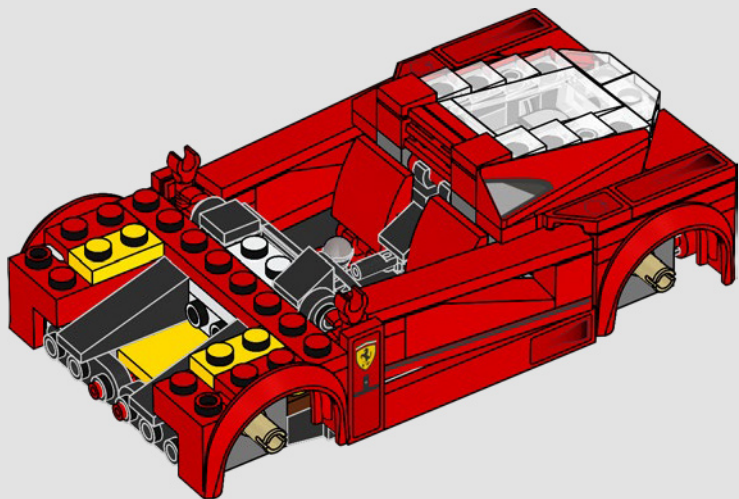


62



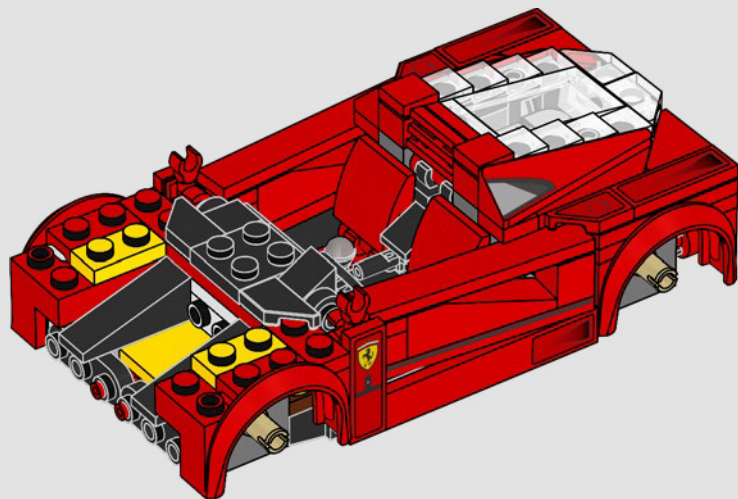


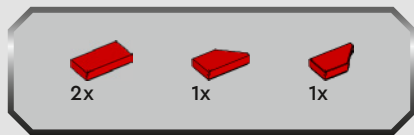
63



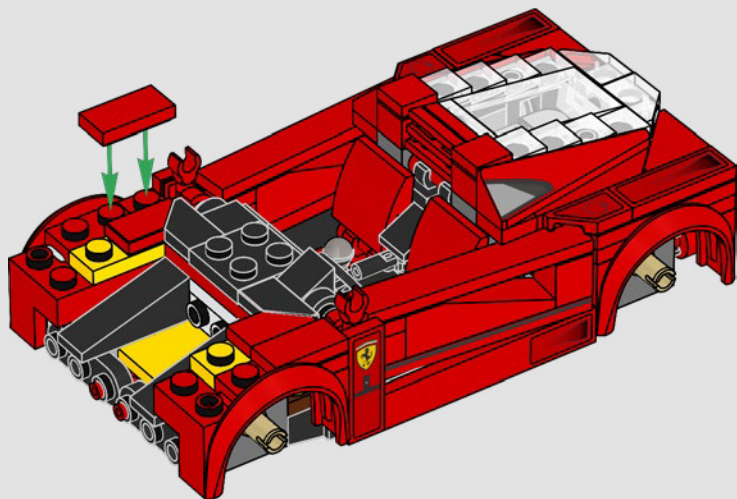


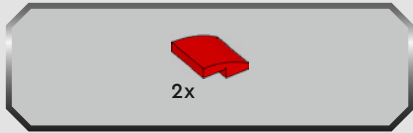
64



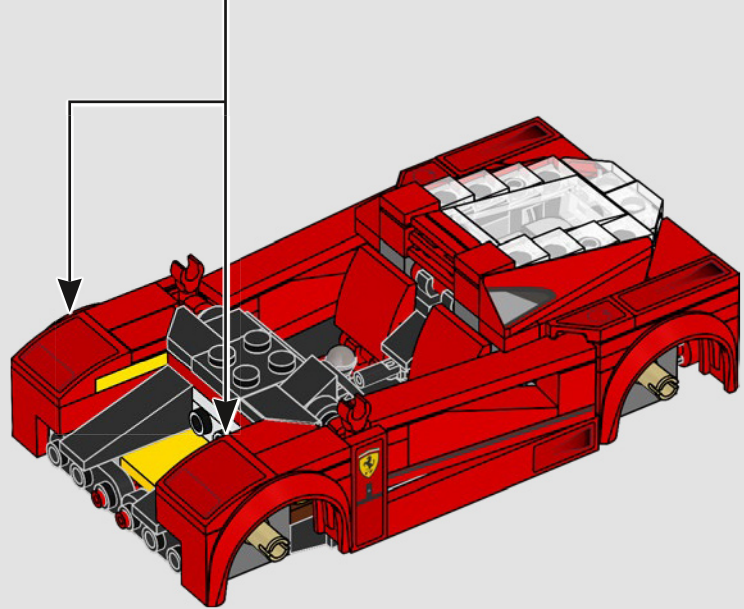
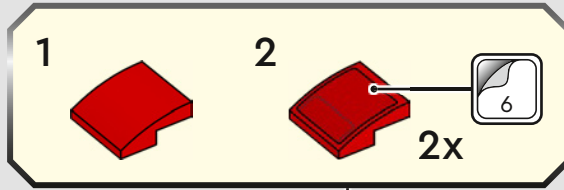


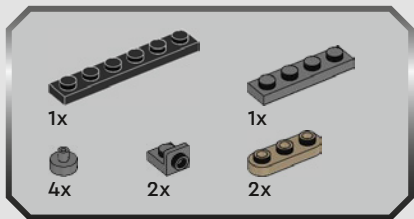
65



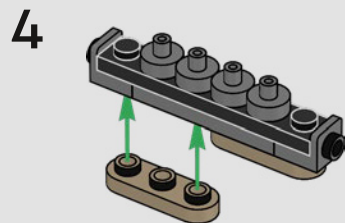
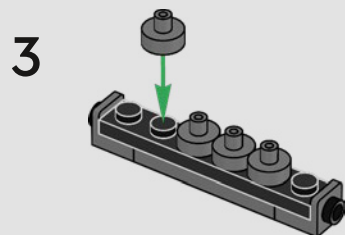
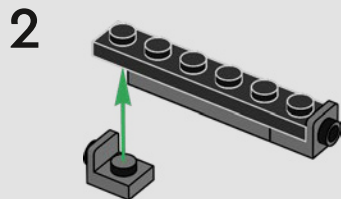
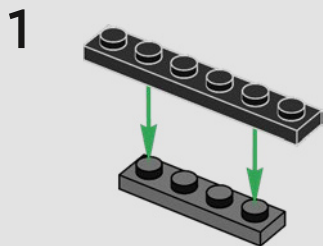


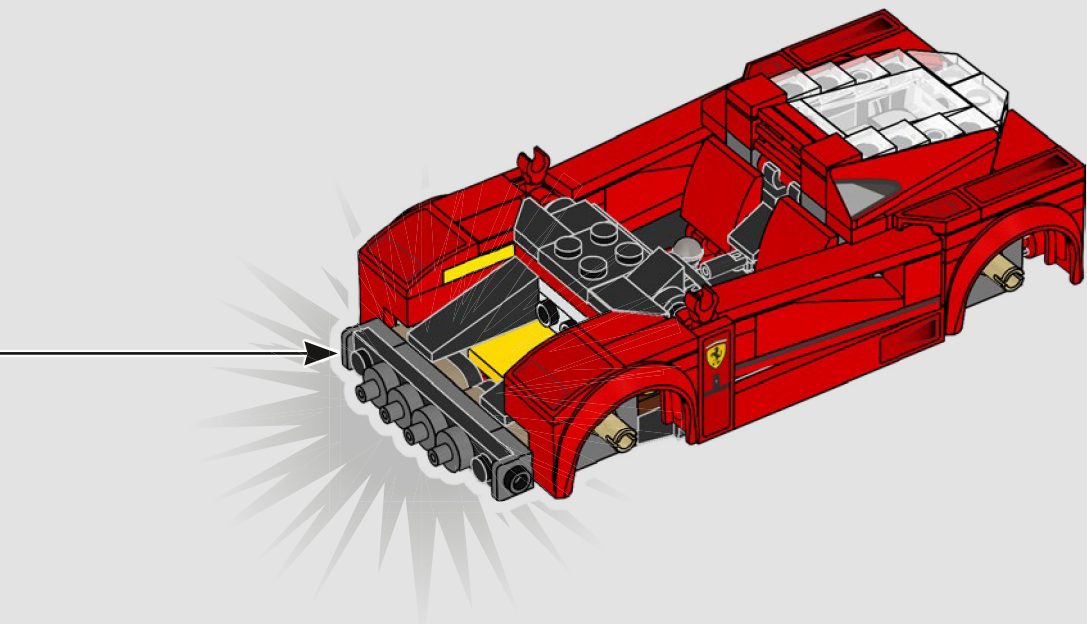
66





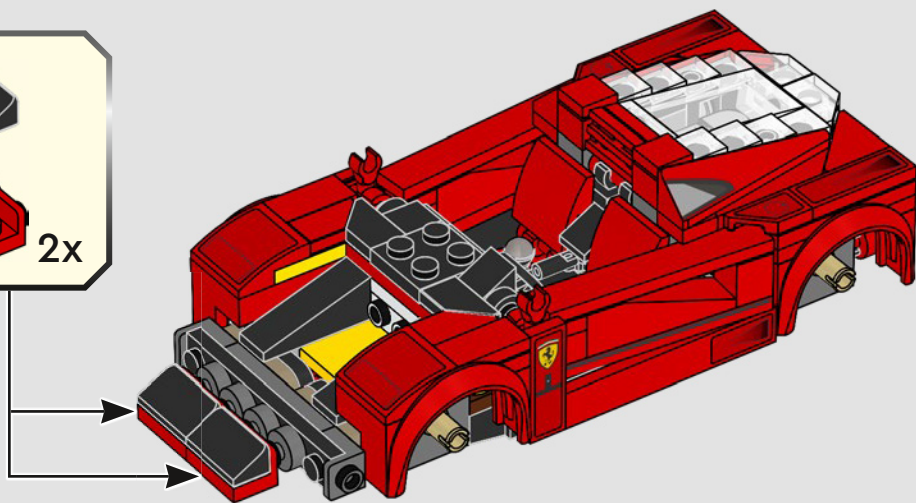
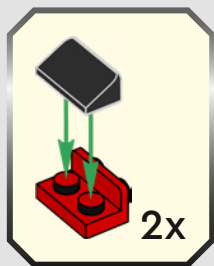
67





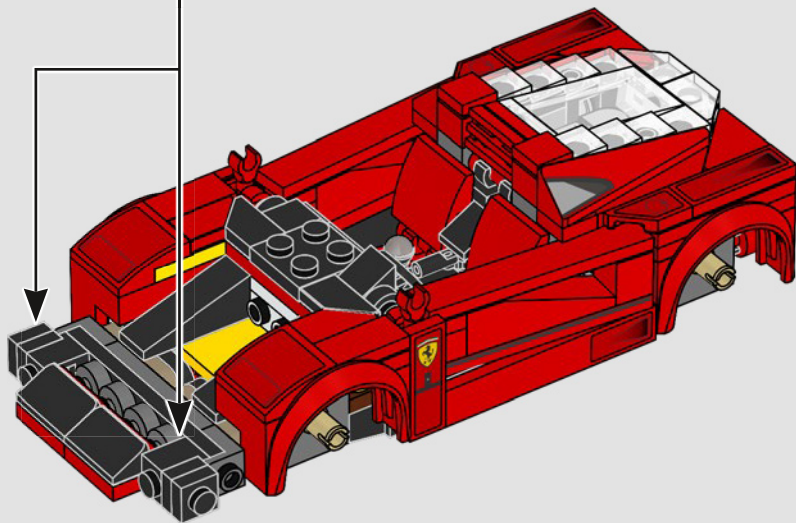
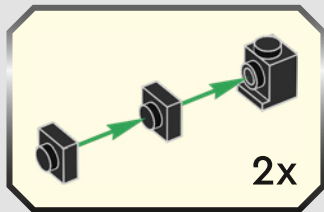


68



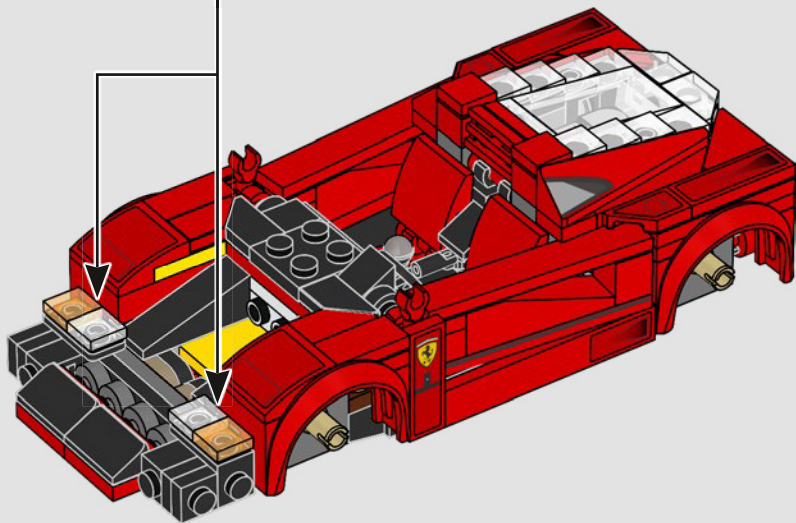
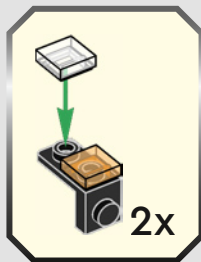


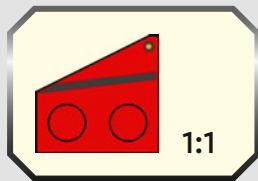
69



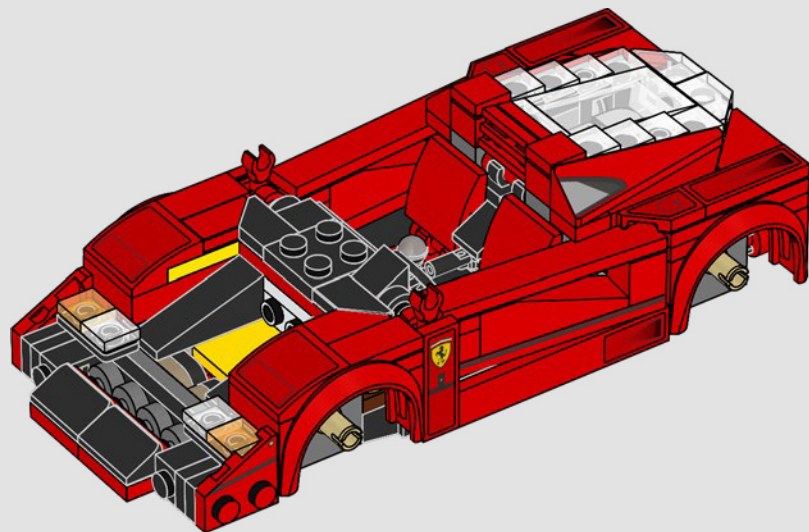


70



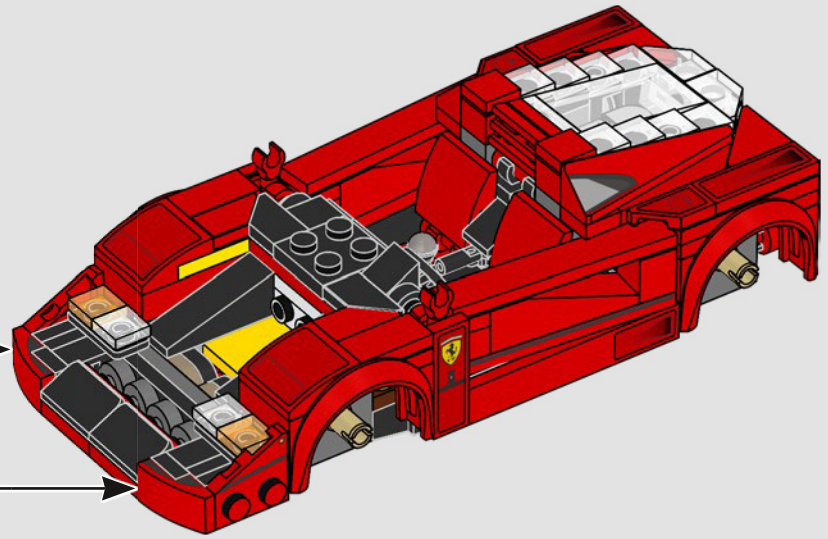
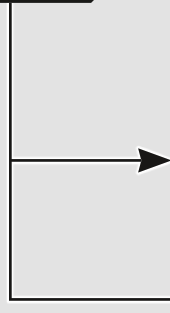
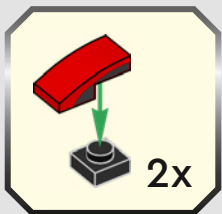


71

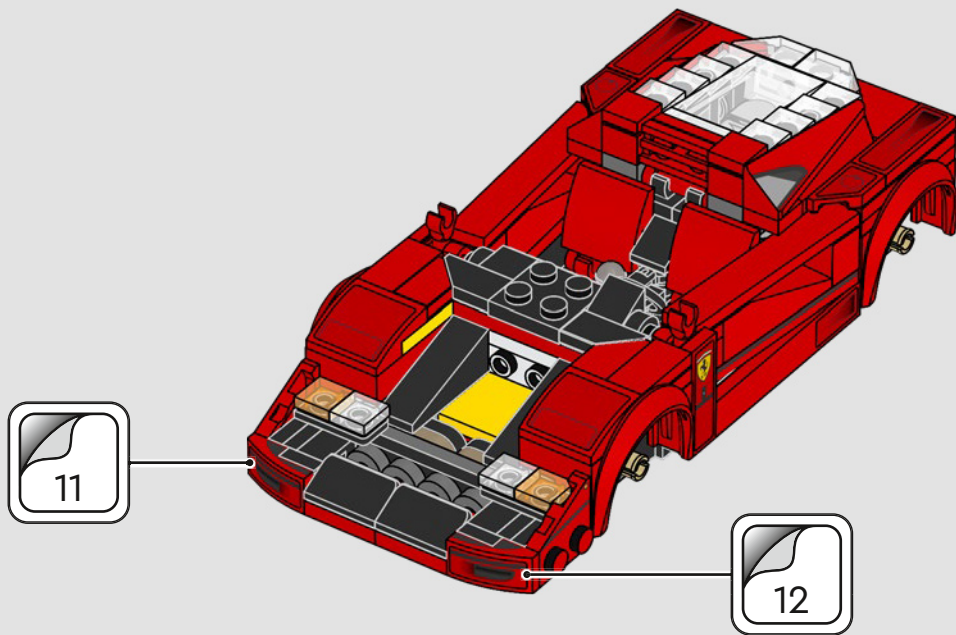


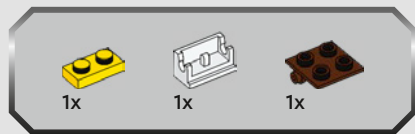


72

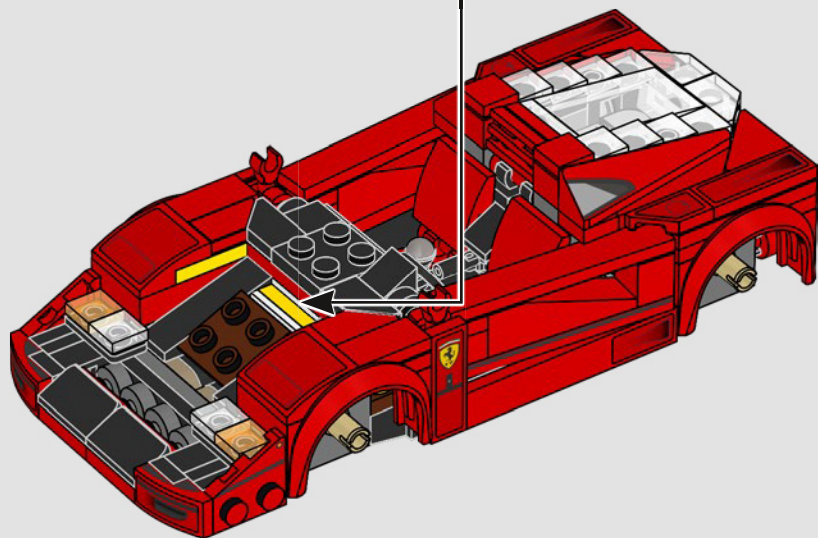
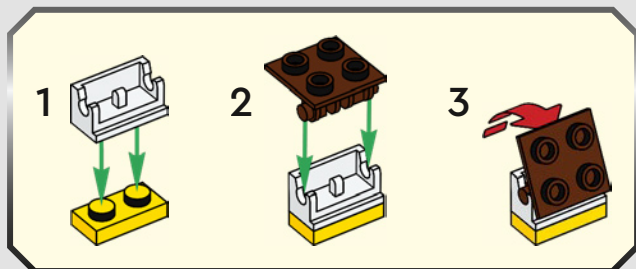


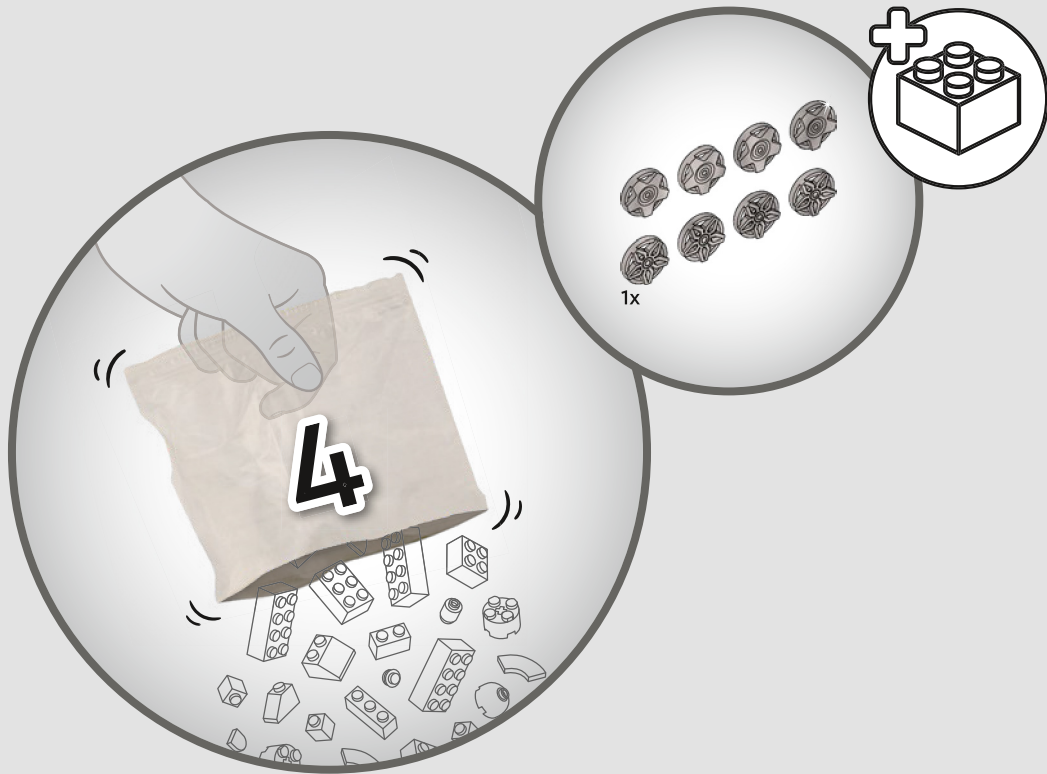
73

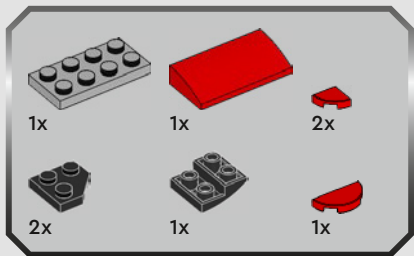




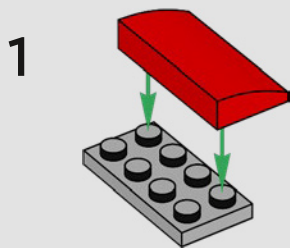
74



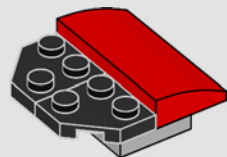




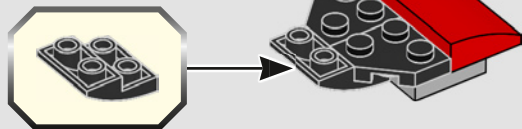
75



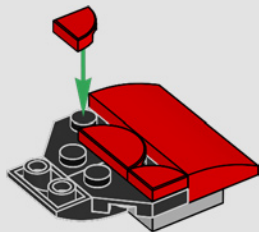
2

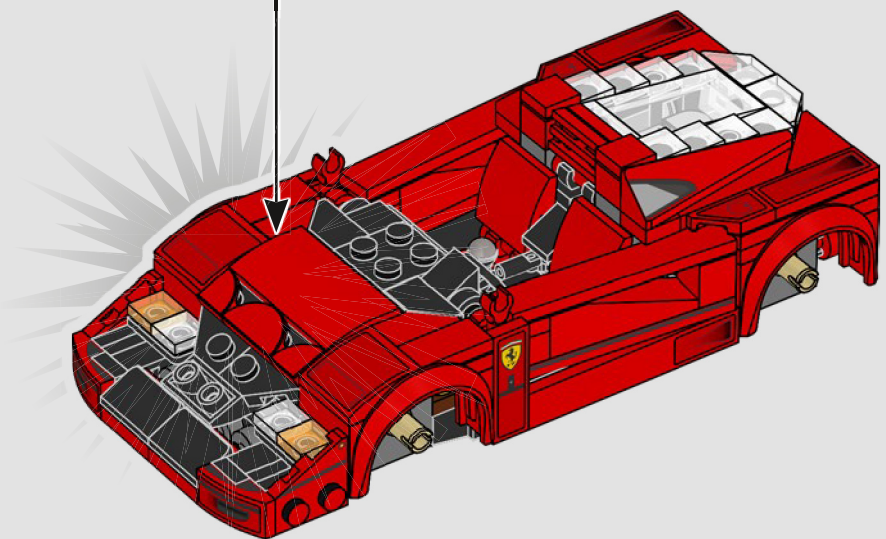


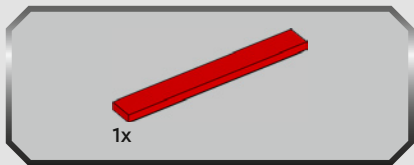
3



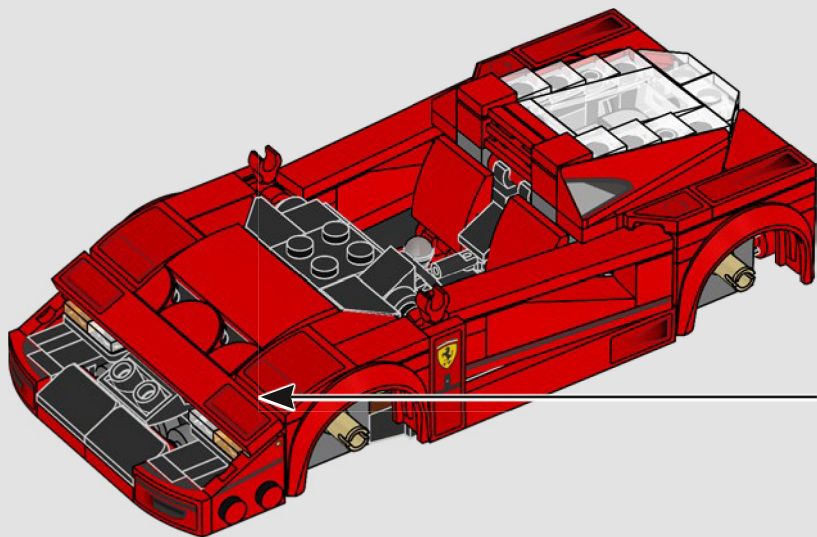
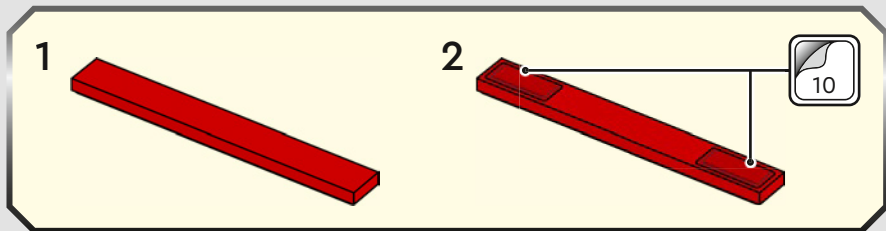
4

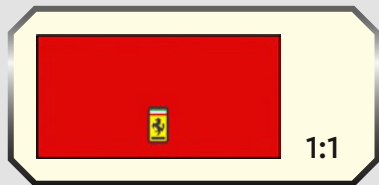




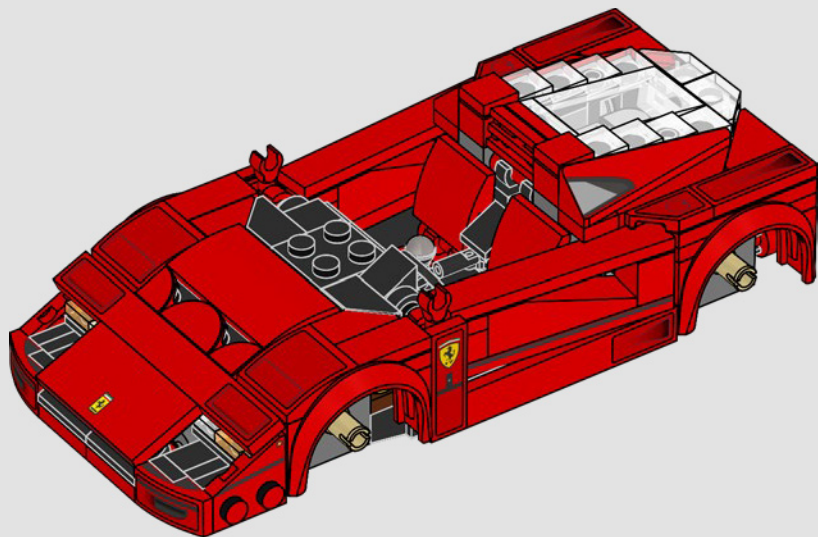


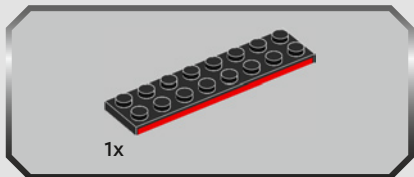
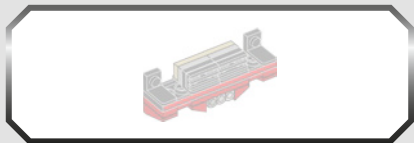
76



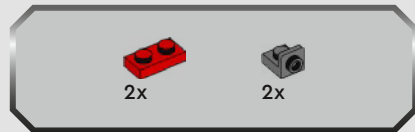
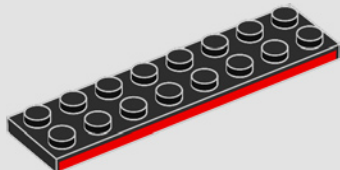


77

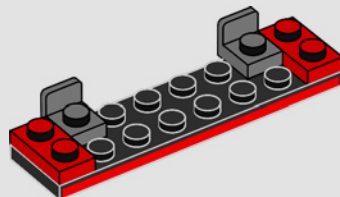


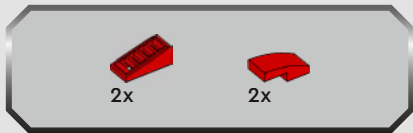


78

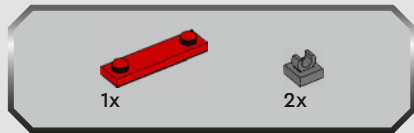
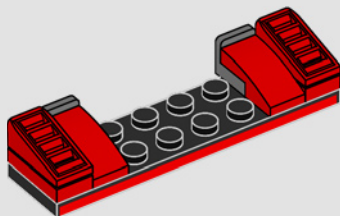


79

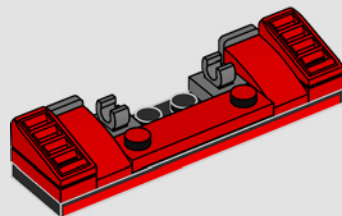


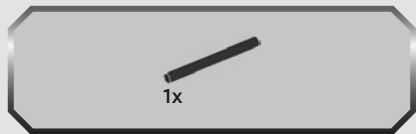


80

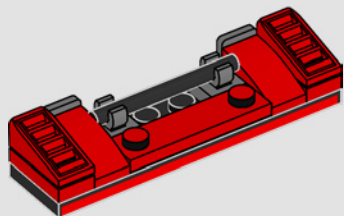


81

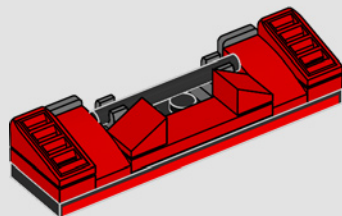




82

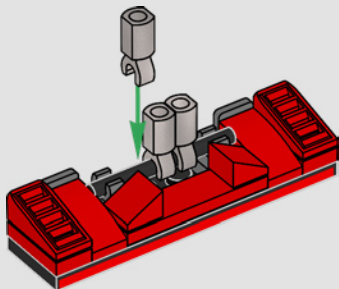


83

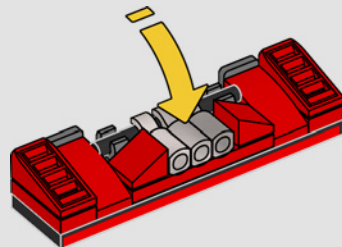


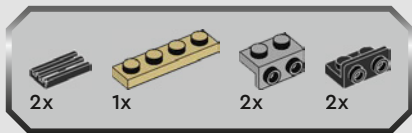


84

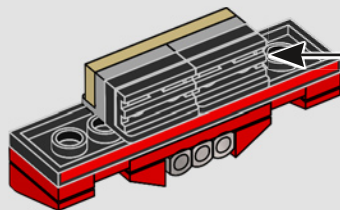
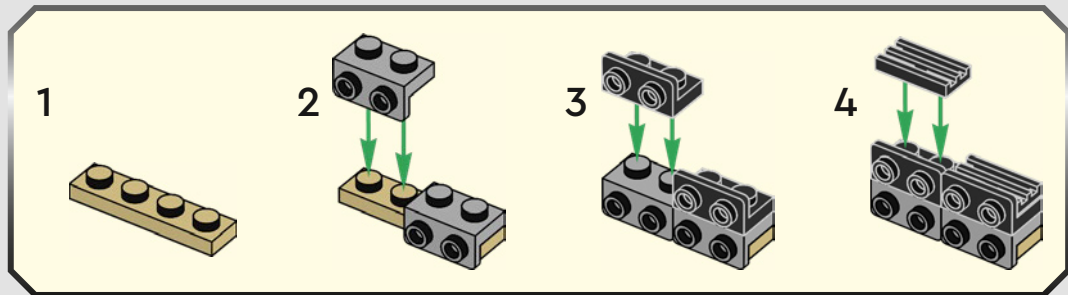


85





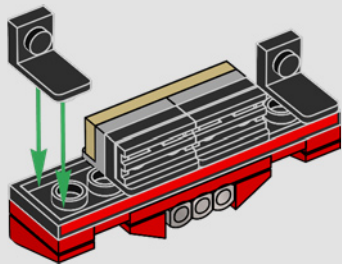
86



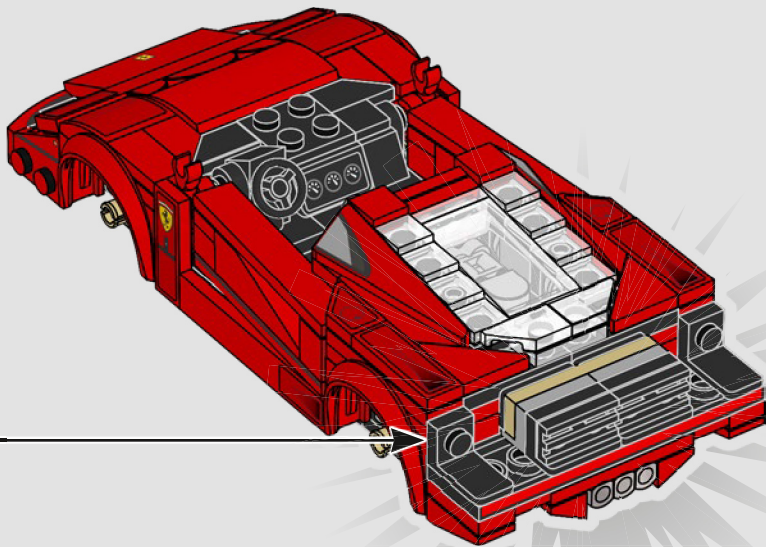


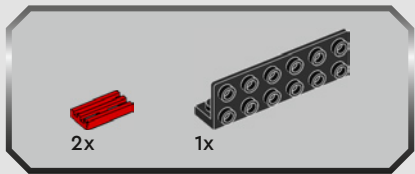
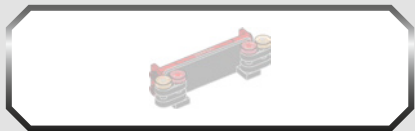
2x

87

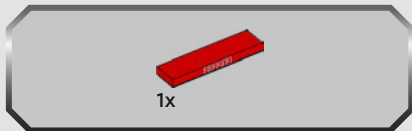
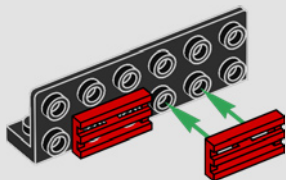


88

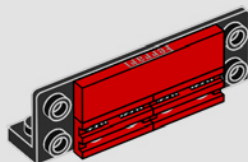




89

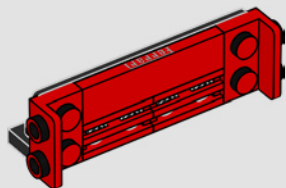


90

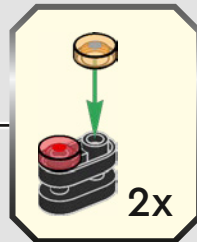
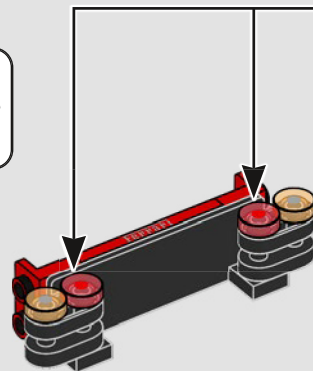




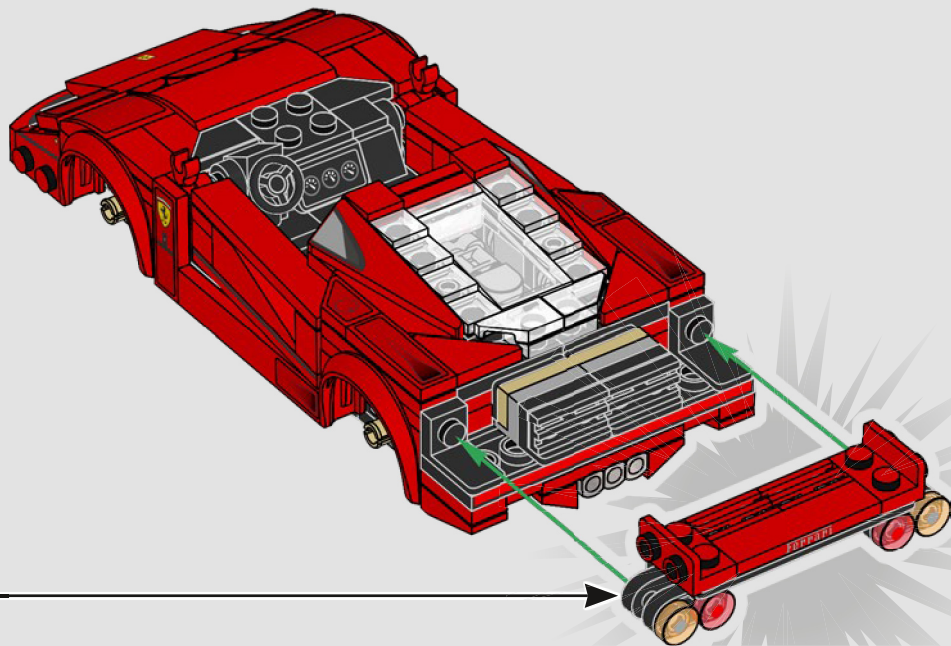
91

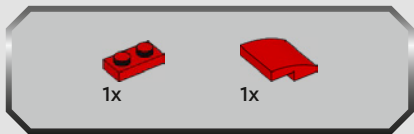


92

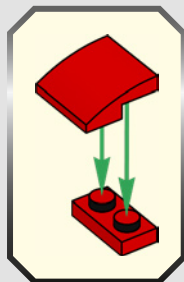
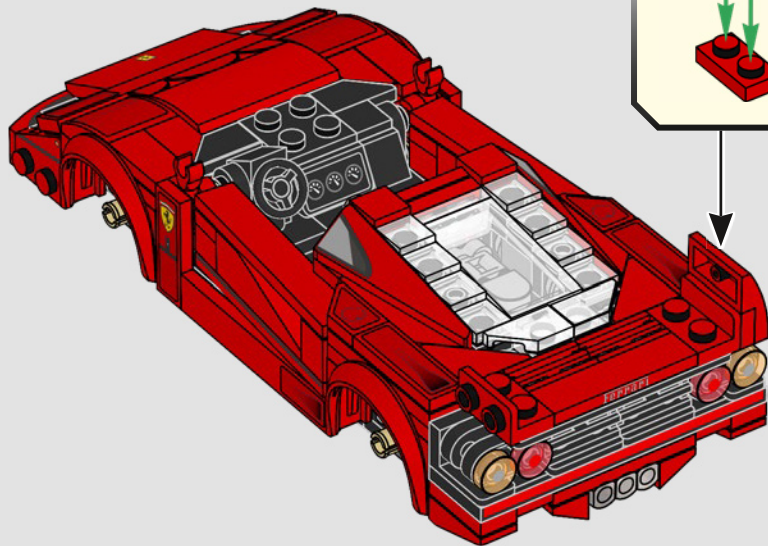


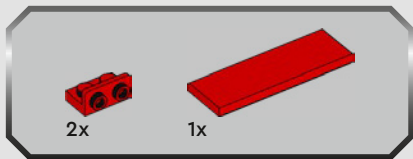
93



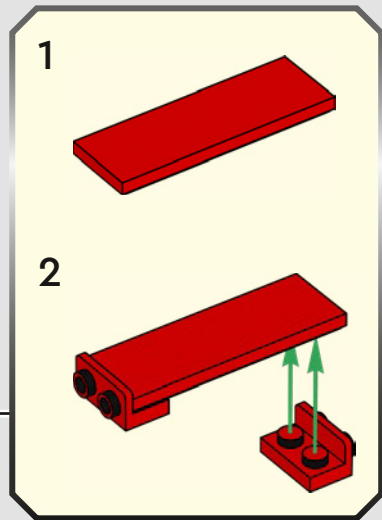
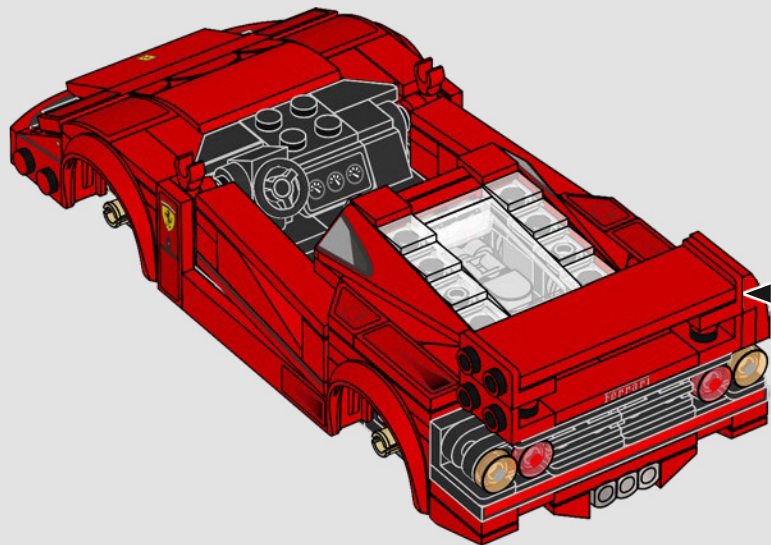


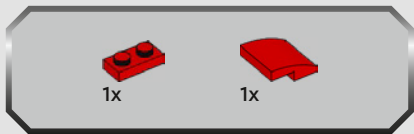
94



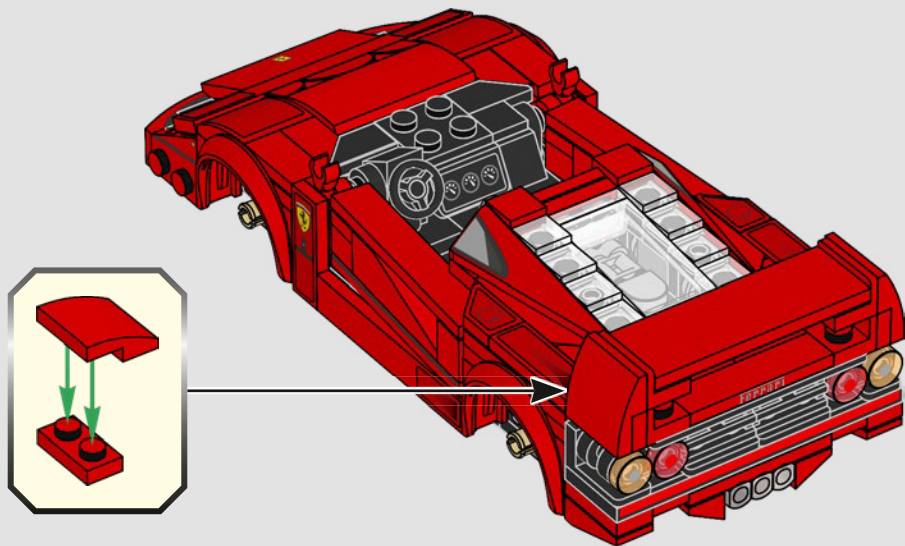


95





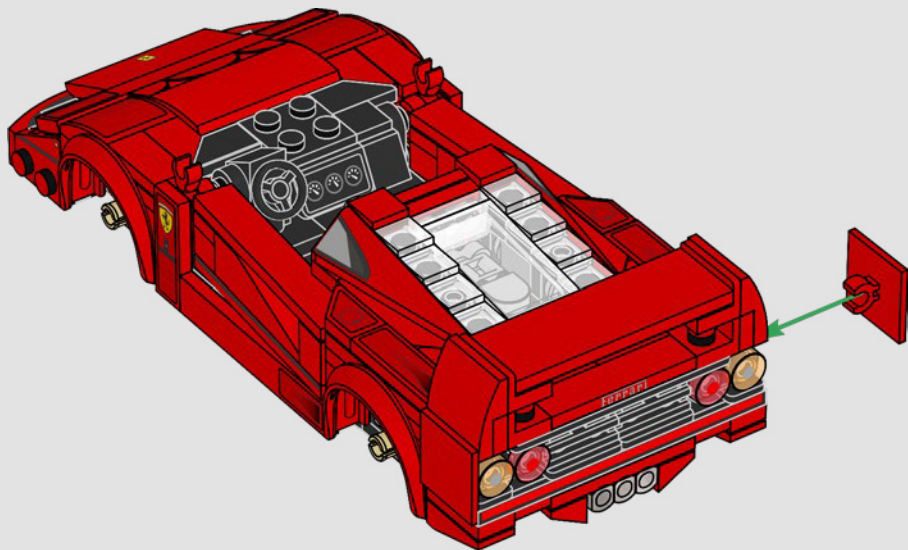
96



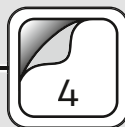
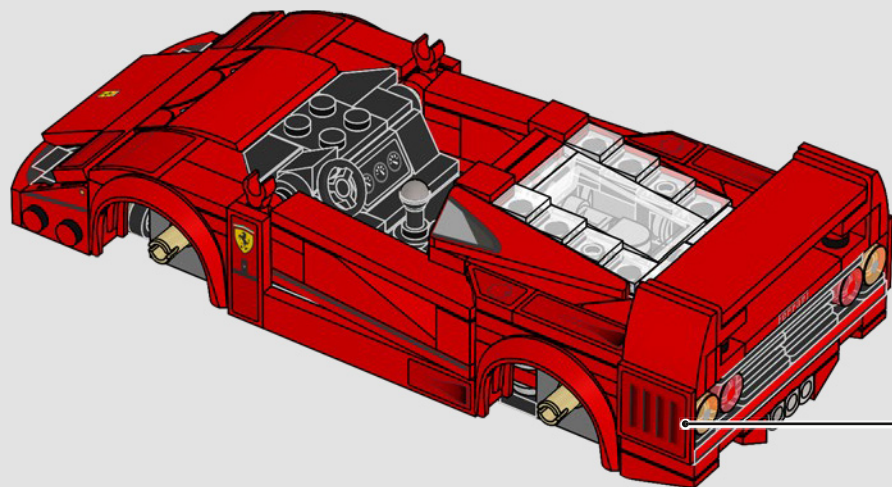


2x

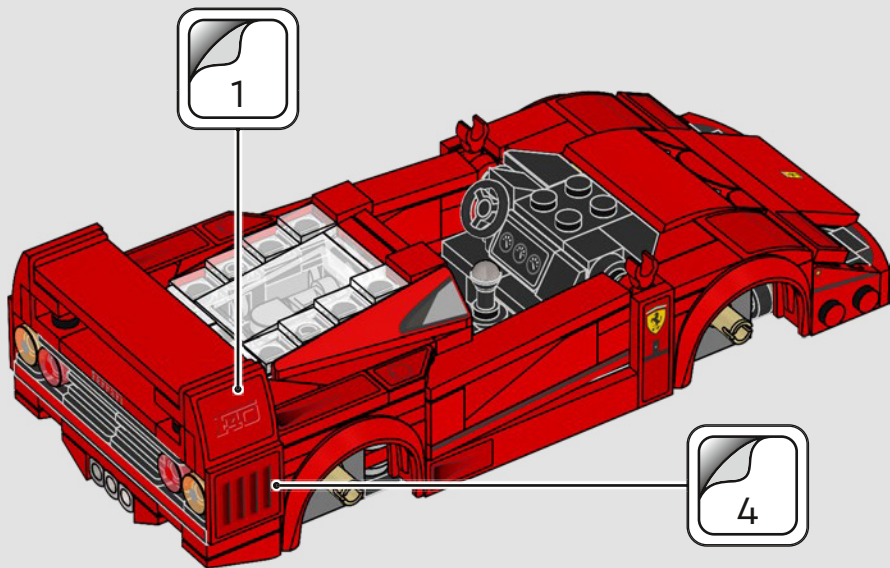
97

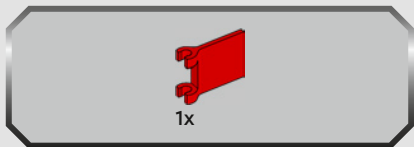


98

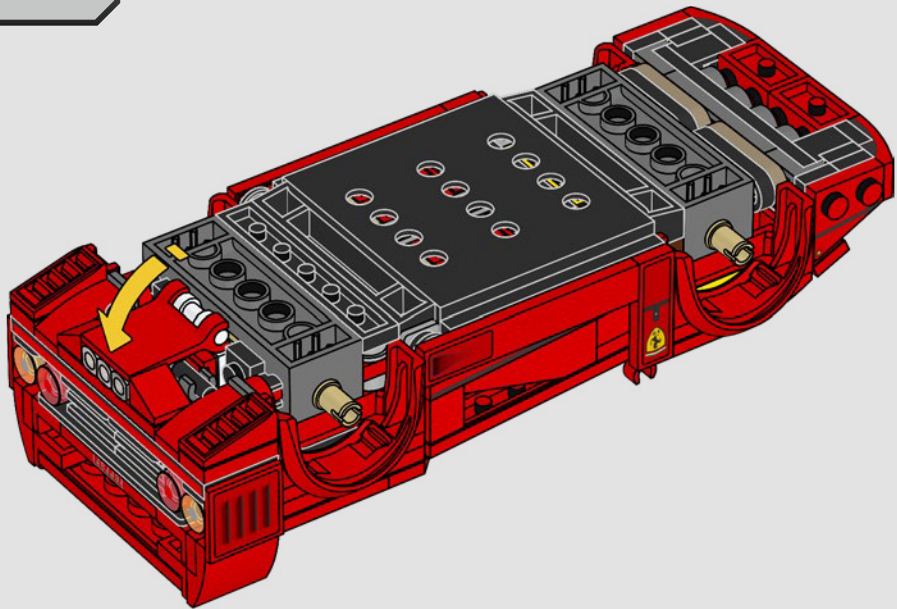


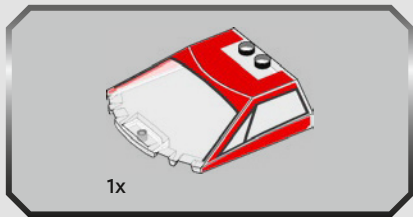
99



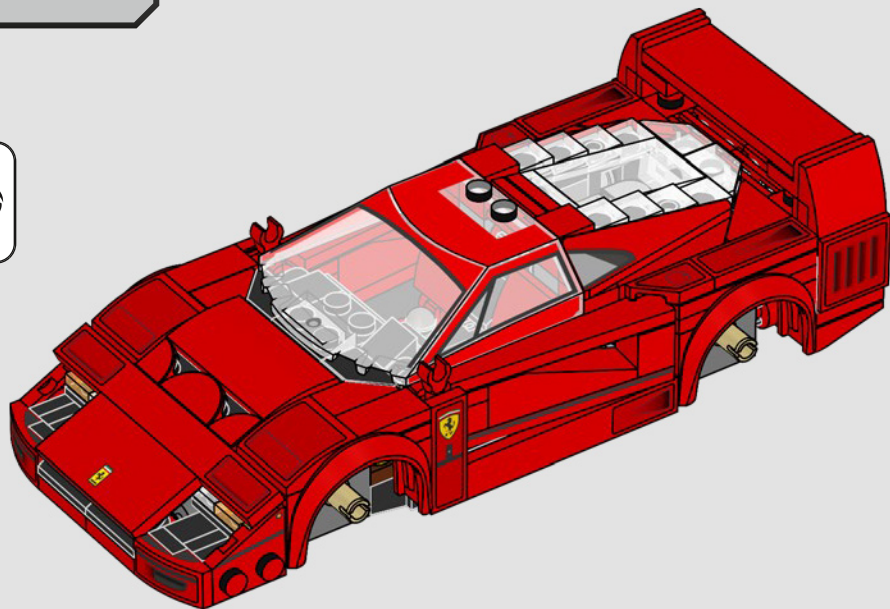


100



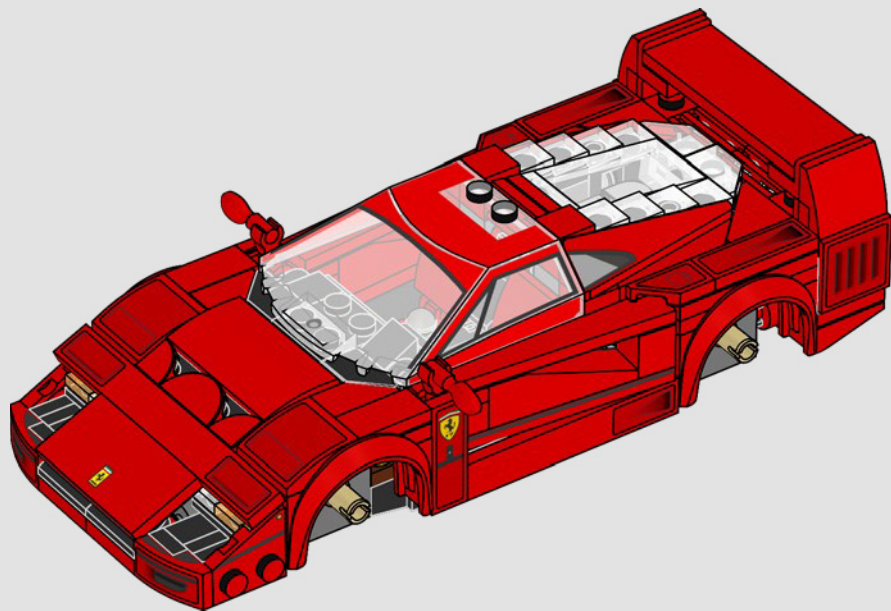


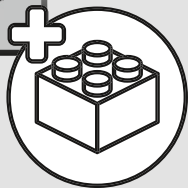
101



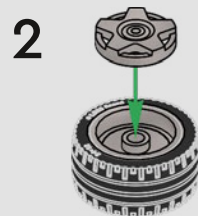
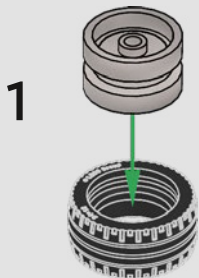


102

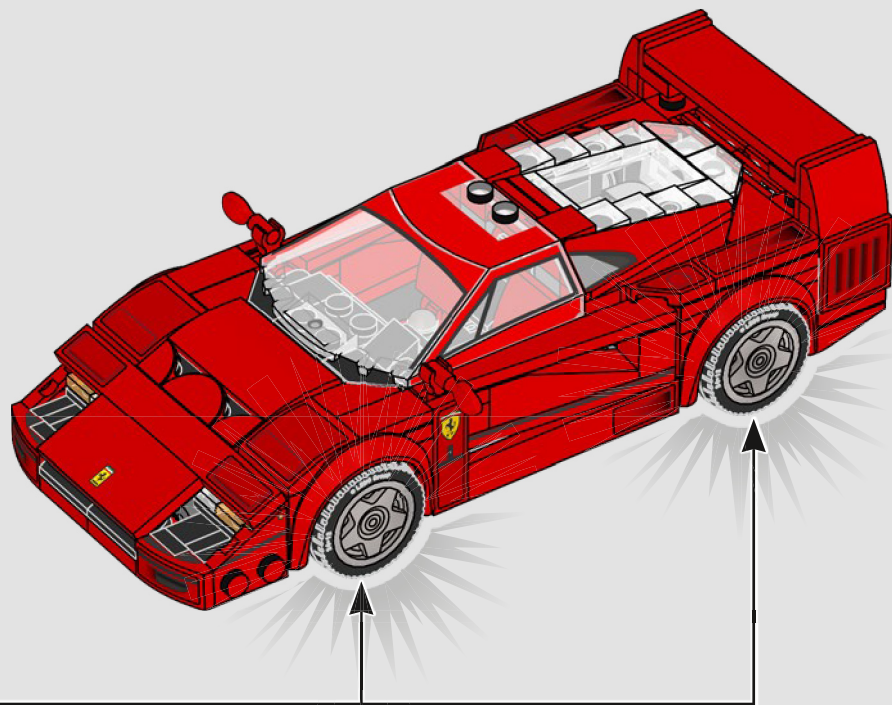


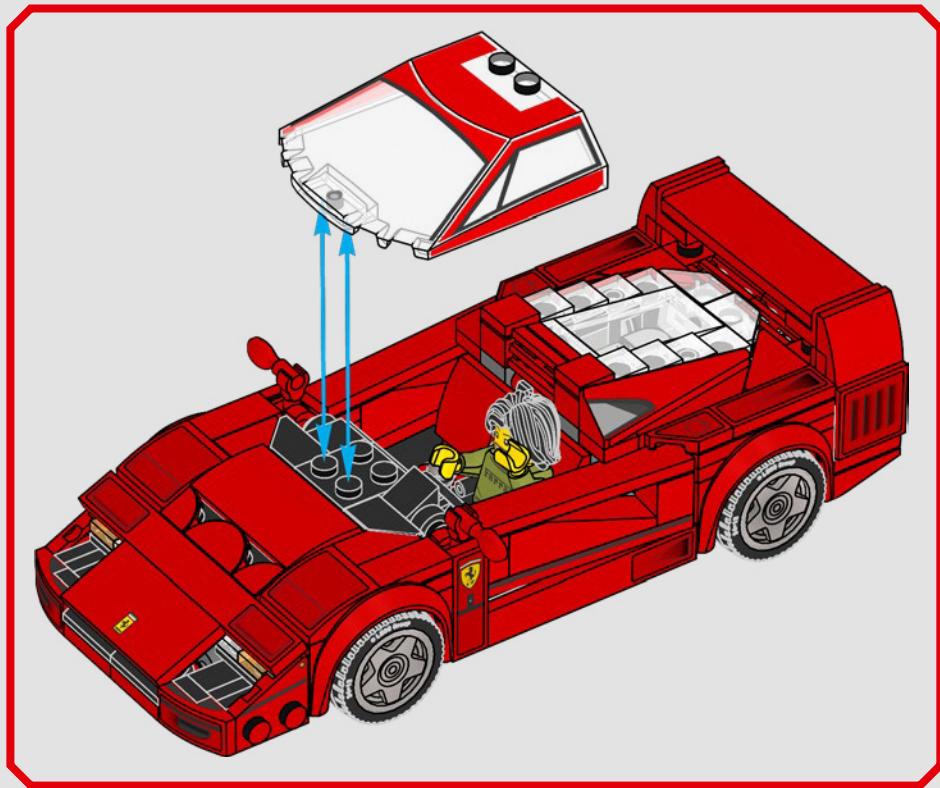


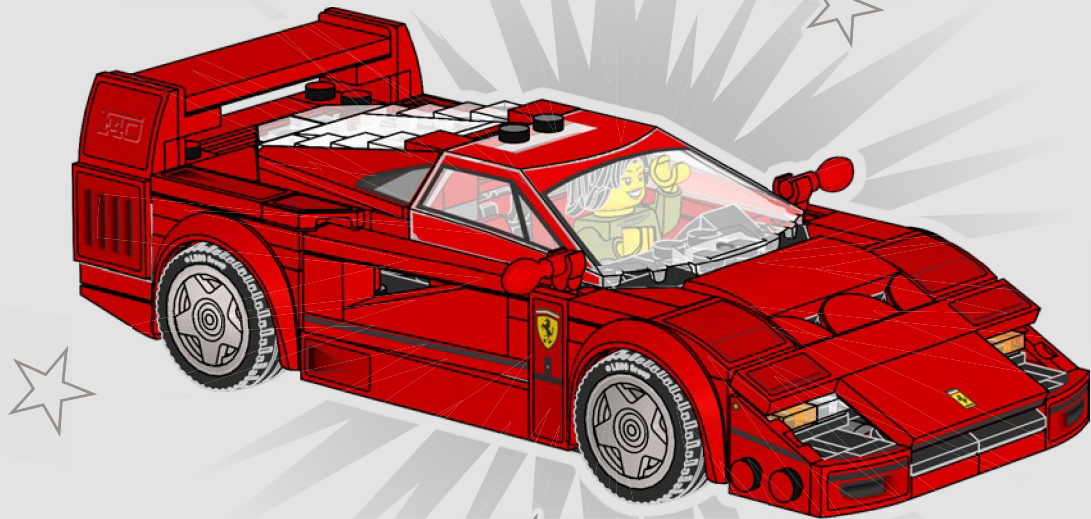
103



4x







1x 393701	2x 4504379	3x 6516544	6x 6089698	2x 4515360	4x 4113858	1x 6327722	1x 4568933
1x 4140583	5x 6397571	2x 6335377	2x 6516545	1x 6513790	1x 6335578	4x 6168646	2x 6510214
2x 6469441	2x 307021	2x 6384112	2x 6515221	1x 4597912	1x 6335578	3x 300526	2x 6210270
2x 6284573	4x 302421	2x 6510127	2x 6351892	1x 4597912	2x 346021	10x 302426	1x 6196548
2x 4118793	2x 6170390	4x 302321	3x 4226876	4x 6441691	1x 416221	2x 407026	2x 6330189
2x 6447501	2x 6170565	2x 4540382	6x 6105976	1x 6522098	2x 6168644	2x 307026	3x 4548180
4x 4666579	2x 6510141	2x 6029946	4x 4533742	1x 6513789	1x 4651443	3x 4504382	1x 6510125
2x 6092587	2x 6515223	4x 241221	1x 6256923	1x 6513789	4x 302324	2x 6335317	2x 241226
3x 4113233	1x 6514506	4x 6347308	2x 371021	1x 6513789	1x 306824	4x 6234695	3x 6092585
1x 6365459	1x 6514507	2x 306921	1x 6513781	2x 6513782	1x 6228602	2x 6380236	1x 73081
102	2x 6215539	2x 6513783				1x 6510139	

2x
6347310



2x
6174243



4x
6020193



7x
6428168



1x
302226



1x
6211476



1x
4558170



1x
400626



4x
6102596

3x
6428167



1x
6116604



1x
301026



2x
4515362



2x
6439175



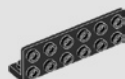
1x
300126



4x
366626



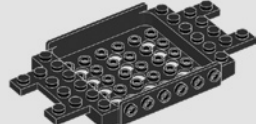
1x
4243819



1x
6458186



1x
6513784



1x
6424673



3x
302328



10x
6254254



1x
6515311



1x
6515310



2x
6514001



1x
6507949



1x
6514508



2x
6513787



2x
6449564



2x
6513788



2x
6254252



1x
4216695



1x
6167644



2x
6050918

8x
6168647



1x
6250597

5x
6448793



4x
6248078



1x
4550170



9x
6248890



2x
4654582



1x
6456718



2x
4211395



4x
6271752



4x
4558955

2x
6344022



4x
6225494



1x
4222693



1x
4211001



2x
6454959

3x
6339866



4x
6442368



1x
6510282



1x
6517950

 [LEGO.com/service](https://www.LEGO.com/service)

YOU COULD
WIN



Scan this QR code or go to
LEGO.COM/PRODUCTFEEDBACK and give us
your short feedback about this LEGO® set for
a chance to win a cool LEGO prize.

Terms and Conditions apply*

EN: YOU COULD WIN. Terms and Conditions apply* **DE: Du könntest GEWINNEN.** Es gelten die Teilnahmebedingungen* **FR: Tu pourrais GAGNER.** Des conditions s'appliquent* **IT: Potresti VINCERE tu.** Termini e condizioni sono applicabili* **ES: Puedes GANAR.** Aplican términos y condiciones* **PT: Poderá GANHAR.** Aplicam-se termos e condições* **ZH: 轻松获奖. 条款和条件适用*** **PL: Szansa na WYGRANĄ.** Obowiązują warunki korzystania* **CS: Máte šanci VYHRÁT.** Platí všeobecné smluvní podmínky* **SK: Máte šancu VYHRÁŤ.** Platia všeobecné zmluvné podmienky* **HU: TE IS NYERHETSZ.** Felhasználási feltételek érvényesek* **RO: Ai putea CÂȘTIGA.** Se aplică termenii și condiții* **BG: Можете да СПЕЧЕЛИТЕ.** Има определени правила и условия* **LV: Tu vari LAIMĒT.** Ir spēkā noteikumi un nosacījumi.* **ET: Sul on võimalus VÕITA.** Kehtivad tingimused* **LT: Jūs galite LAIMĖTI.** Taikomos sąlygos*

*[LEGO.com/productfeedback/terms](https://www.lego.com/productfeedback/terms)

LEGO and the LEGO logo are trademarks of the/son des marques de commerce du/son marcas registradas de LEGO Group. ©2024 The LEGO Group.
Produced under license of Ferrari S.p.A. The name FERRARI, the PRANCING HORSE device, all associated logos and distinctive designs are property of Ferrari S.p.A. The body designs of the Ferrari cars are protected as Ferrari S.p.A. property under design, trademark and trade dress regulations.

6533784